



威乐中国官方微信 威乐中国官方微博

海水淡化, 纯水系统及一般工业

## Wilo-NX

# 不锈钢卧式端吸离心泵

Wilo-NX/1612/EN/CHN

威乐(中国)水泵系统有限公司

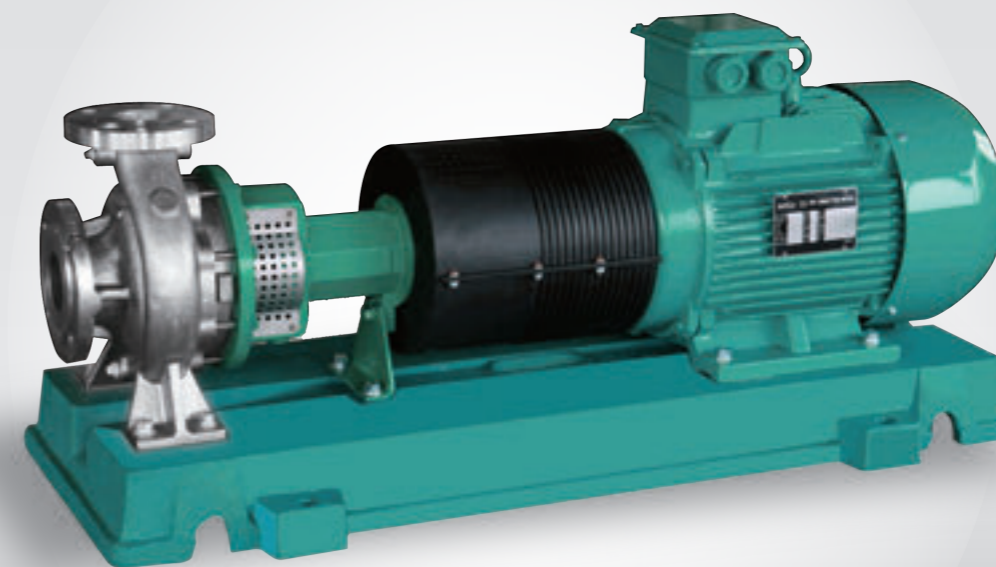
地址:  
北京市顺义区赵全营兆丰工业区兆丰二街10号  
101300

电话: 010-52347888  
传真: 010-52347666  
电邮 Email: wilo.info@wilo.com.cn  
网址: www.wilo.com.cn  
销售热线: 800-810-8049  
售后服务热线: 400-898-4886

威乐(中国)销售网络

北京: 010-52347916	重庆: 023-67723781
上海: 021-52981538	天津: 022-58316023
广州: 020-38817608	青岛: 0532-66775608
成都: 028-85031202	长沙: 0731-82296546
沈阳: 024-31300733	深圳: 0755-23995481
西安: 029-87651288	大连: 0411-83700725/6
武汉: 027-85355868	石家庄: 0311-89690580
南京: 025-83108033	

本资料全部内容属于威乐(中国)水泵系统有限公司所有, 未经本公司书面许可, 任何单位及个人不得以任何形式转载。



“威乐，  
值得信赖的  
水泵专家。”



Wilo-NX

威乐不锈钢端吸泵NX系列，遵循威乐百年制泵理念，产品安全、高效、环保。泵体、叶轮可根据客户使用环境配置各种不锈钢材质。轴、机械密封亦可有结构及材质的多项可选。水泵与电机之间采用易拆卸短节结构，便于水泵的维护保养。

NX系列不锈钢端吸泵可广泛应用于海水淡化、纯水系统及一般工业等。

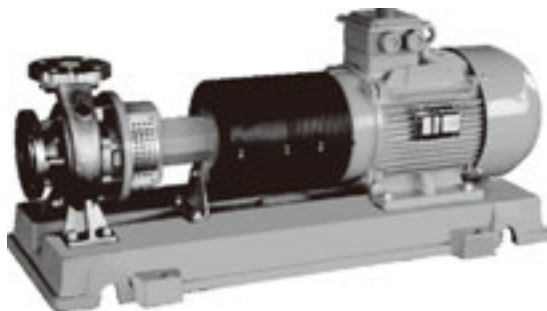
[www.wilo.com.cn](http://www.wilo.com.cn)

# Contents

## 目录

Series description	系列说明	4
<hr/>		
Technical data	技术参数	7
<hr/>		
Pump curves	性能曲线	9
4 Pole	4极(电机)	9
2 Pole	2极(电机)	21
<hr/>		
Dimensions and weights	外形尺寸及重量	28
<hr/>		

## Series description Wilo-NX 系列说明



### Wilo-NX

Baseplate pump with axial suction, in accordance with EN 733 (ISO 2858 on request)

### Application

- Suitable for clean water, sea water, light oils or process fluids, similar to water, slightly contaminated water or fluids without solid matter and not easy crystallization.
- Applications in sea water desalination, pure water treatment, general industry, etc.

### Scope of delivery

- Pump with bare shaft end or
- Pump on baseplate with coupling and coupling protection, without motor or
- Completely mounted pump on baseplate with electric motor
- Housing: SS304 (Optional: SS316, SS316L or Duplex stainless steel)
- Installation and operating instructions

### Type key

Example	NX 40/160-4/2
NX	Stainless steel end-suction pump
40	Nominal diameter in DN
160	Nominal impeller diameter
4	Nominal motor power $P_2$ in kW
2	Number of poles

### Wilo-NX

不锈钢卧式端吸离心泵，符合 EN 733 标准 (ISO 2858 来函咨询)

### 应用

- 可用于输送清水、海水、轻油类或生产工艺流程中其它类似于水但具有一定腐蚀性或需要防止污染的无固体颗粒及不易结晶的液体介质。
- 应用于海水淡化、纯水系统及一般工业等领域。

### 供货范围

- 泵头
- 泵头、底座、联轴节和联轴节防护罩，不配电机
- 由泵头、联轴节、联轴节防护罩电机和底座组成的整泵
- 泵体：SS304（可选：SS316、SS316L或双相不锈钢）
- 安装及操作维护说明书

### 型号

例	NX 40/160-4/2
NX	不锈钢卧式端吸离心泵
40	公称直径 DN
160	名义叶轮直径
4	电机额定功率 $P_2$ (kW)
2	电机极数

## Series description Wilo-NX 系列说明

### Materials

- Pump housing
  - Stainless steel spiral with anti-rotation ribs.
  - With axially aligned suction piece and radial pressure ports and cast assembly feet.
  - Dimensions and hydraulics are in accordance with DIN EN 733
  - Flange PN 16 in accordance with DIN 2533
- Standard mechanical shaft seal AQ1EGG for water up to 120°C

### 材质

- 泵体
  - 不锈钢螺旋蜗壳。
  - 轴向进水，径向出水。
  - 尺寸和性能符合 DIN EN 733 标准
  - 法兰承压 PN 16 符合 DIN 2533 标准
- 标准机械密封 AQ1EGG 最高允许水温 120°C

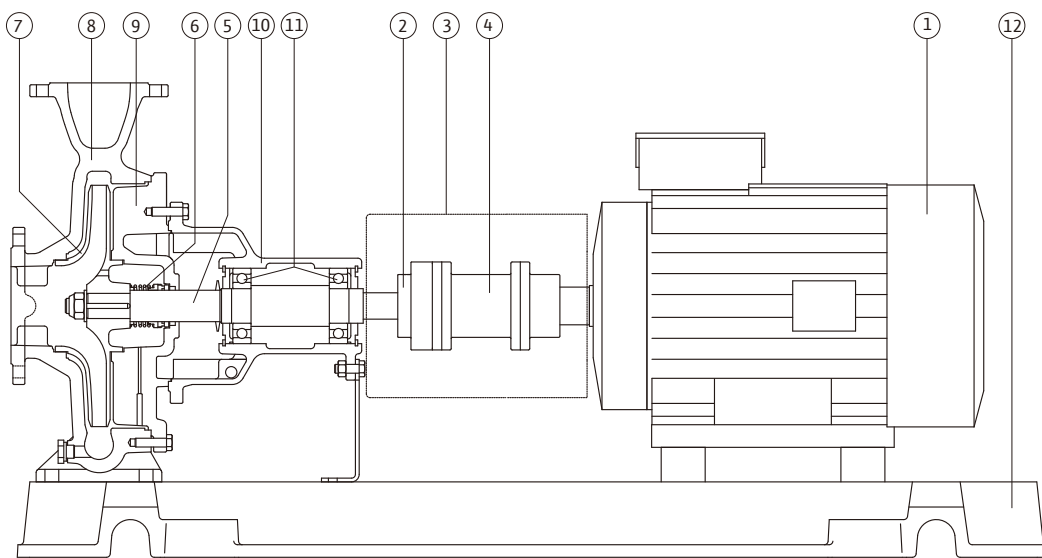
### Description/design

- Single-stage centrifugal pump as baseplate pump with axial suction piece with flanged bearing bracket and axis mounting for flexibly coupled drives.
- Spacer coupling (sleeve coupling) available as an option; they make it possible to leave the motor in position when removing the rotor unit.
- Shaft deflection meets the requirements of ISO 5199.

### 设计说明

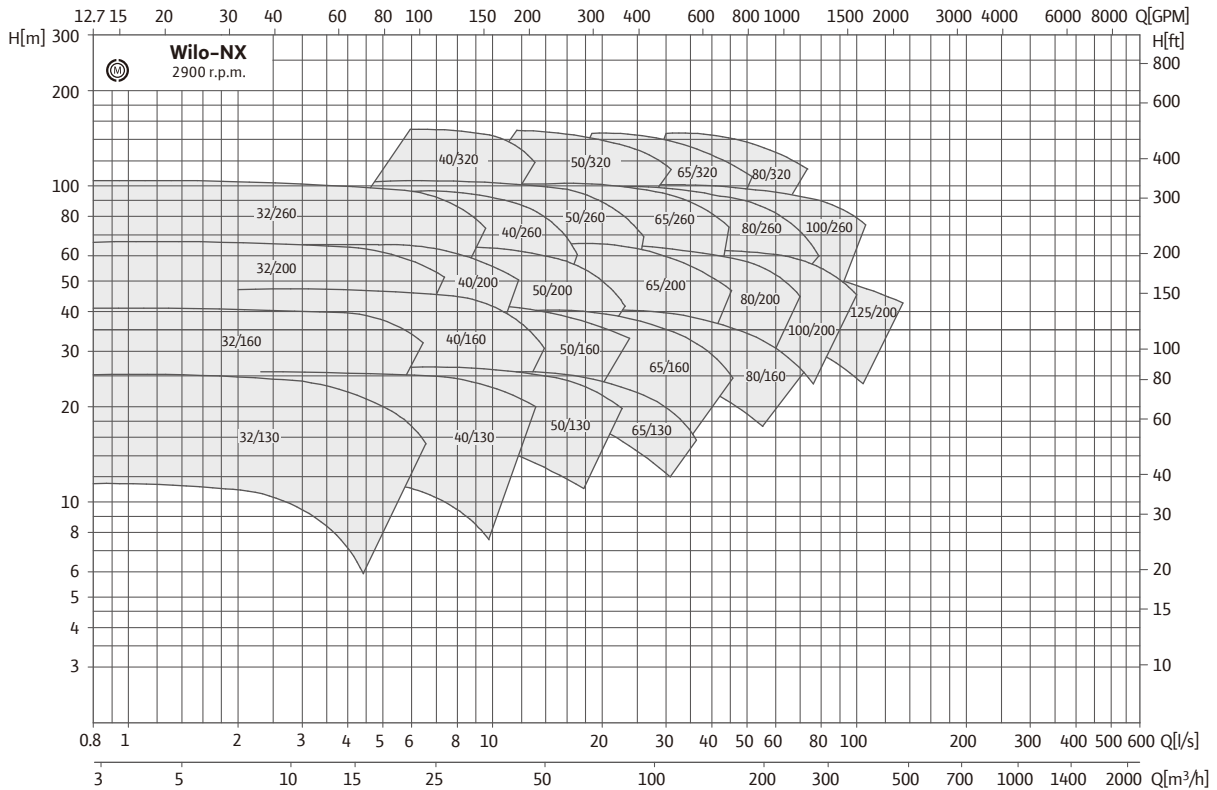
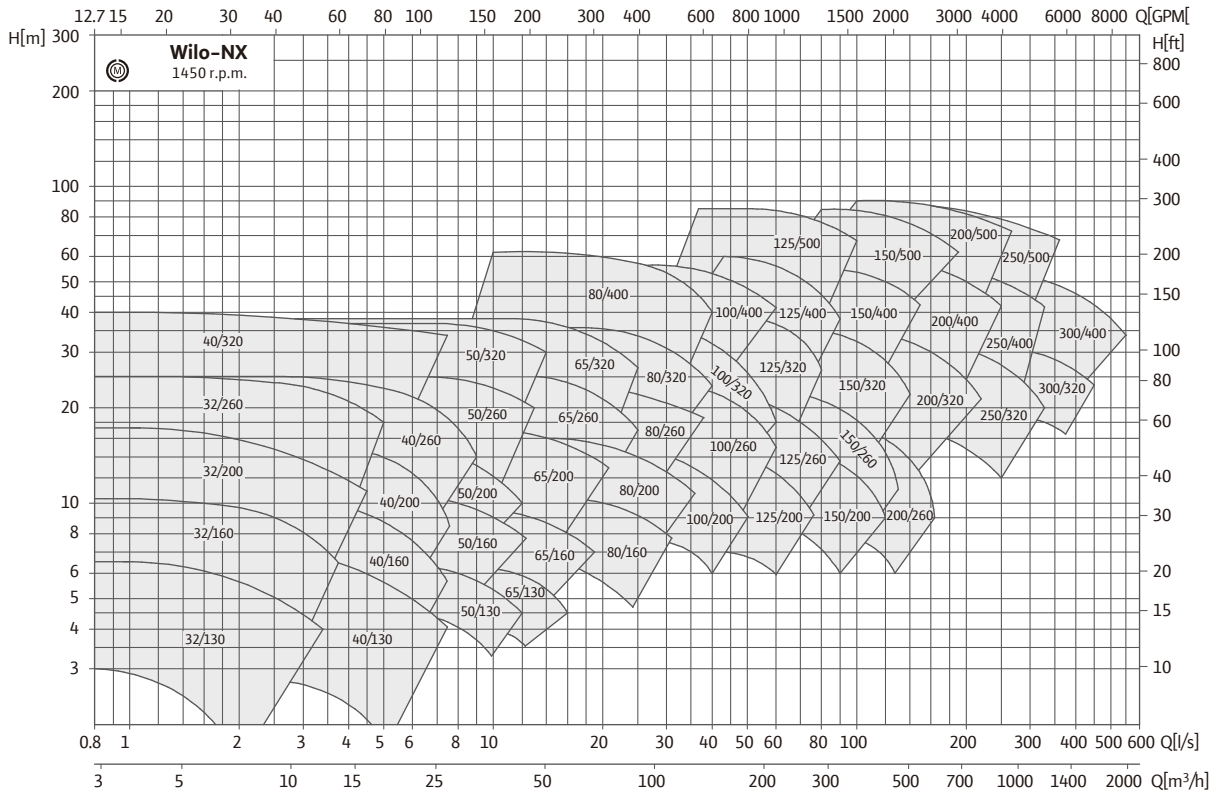
- 卧式单级不锈钢端吸离心泵，带轴承架和挠性联轴节，装于底座之上。
- 配有易拆卸短节；在移动转子组时留有足够的拆卸空间，不需移动电机。
- 轴挠度满足 ISO 5199 要求。

### Section drawing 水泵结构图



1	Motor	电机	7	Impeller	叶轮
2	Coupling	联轴节	8	Pump housing	泵体
3	Coupling protection	联轴节防护罩	9	Housing cover	端盖
4	Spacer	易拆卸短节	10	Bearing bracket	轴承架
5	Shaft	泵轴	11	Roller bearing	轴承
6	Mechanical seal	机械密封	12	Baseplate	基座

## Series description Wilo-NX 系列说明



Technical data Wilo-NX 技术参数		
		Wilo-NX
<b>Approved fluids (other fluids on request) 允许的输送介质(其他介质请来函咨询)</b>		
Clean water	普通清水	•
Pure water	纯水	•
Sea water	海水	•
Other slight corrosive liquids (without solid matter, not easy crystallization)	其它有一定腐蚀性液体 (无固体颗粒、不易结晶)	-
<b>Permitted field of application 应用范围</b>		
Max. operating pressure at fluid temperature of +120°C [bar]	介质温度120°C时最大工作压力 [bar]	16
Temperature range [°C]	温度范围 [°C]	-20 ~ +120°C (此温度范围之外请特别咨询)
Max. ambient temperature [°C]	最高环境温度 [°C]	+40°C
<b>Pipe connections 管路连接</b>		
Nominal connection diameters DN on suction side: on pressure side:	连接管径 DN 进口端 出口端	50-350 (larger nominal diameters on request) (其他口径请来函咨询) 32-300 (larger nominal diameters on request) (其他口径请来函咨询)
Flanges (according to EN 1092-2)	法兰承压(符合 EN 1092-2)	PN16
<b>Materials 材质</b>		
Pump housing (standard)	泵体 (标准)	• SS 304
Pump housing (special version)	泵体 (特殊)	- SS316, SS316L, 双相不锈钢
Bearing brackets	轴承架	• EN-GJL-250 铸铁
Impeller (standard)	叶轮(标准)	• SS 304
Impeller (special version)	叶轮(特殊)	- SS316, SS316L, 双相不锈钢
Pump shaft (standard)	泵轴 (标准)	• SS 431
Pump shaft (special version)	泵轴 (特殊)	- 双相不锈钢
Mechanical seal	机械密封	• AQ1EGG (carbon/silicon carbide/EPDM) 碳化硅/石墨
Other mechanical seals	其他机械密封	- on request (depending on the pumped liquid) 其他(来函咨询)
<b>Electrical connection 电气连接</b>		
Speed range [rpm]	转速 [rpm]	• 1450/2900
<b>Motor/electronics 电机</b>		
Factory standard IEC motor	IEC电机	•
West European brand production	西欧品牌电机	- special version at additional charge 另需加价
Protection class	防护等级	• IP55
Insulation class	绝缘等级	• F
PTC thermistor sensor	PTC热敏电阻传感器	- tripping unit required 配继电器 (另需加价)
Motor protection required onsite	现场需配电机保护	- (To be provided for onsite installation) (现场由其它方提供)

Technical data Wilo-NX 技术参数		Wilo-NX
Energy efficiency class	能效等级	GB 18613-2012 CL 3 GB 18613-2012 能效 3
Speed control	转速控制	- Wilo control devices external frequency converter (additional charge) Wilo 控制装置,变频器 (另需加价)
Motor winding up to 3kW	电机绕组 ≤ 3kW	• 220 V / 380 VY, 50 Hz
Motor winding from 4kW	电机绕组 ≥ 4kW	• 380 V / 660 VY, 50 Hz
Other voltages/frequencies	其他电压/频率	- Special version at additional charge 另需加价
Direct current	直流电机	- Special version at additional charge 另需加价
Explosion-protected versions	防爆电机	- Special version at additional charge 另需加价

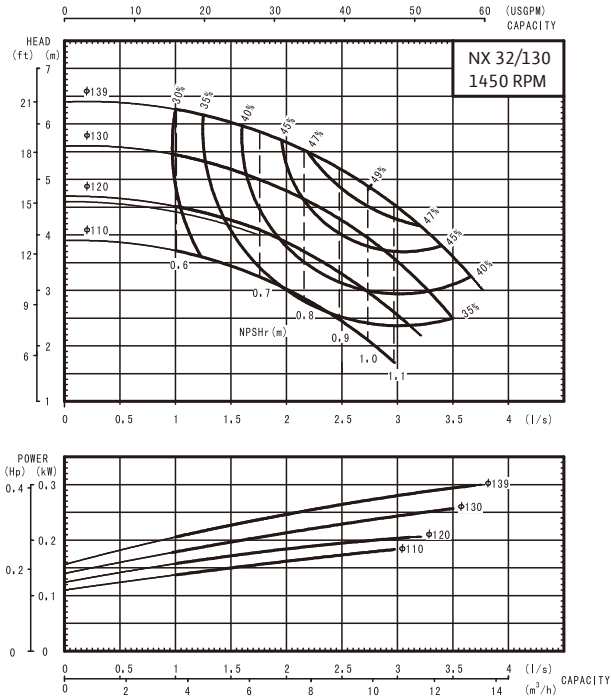
• = available 标准配置

- = not available 可选用

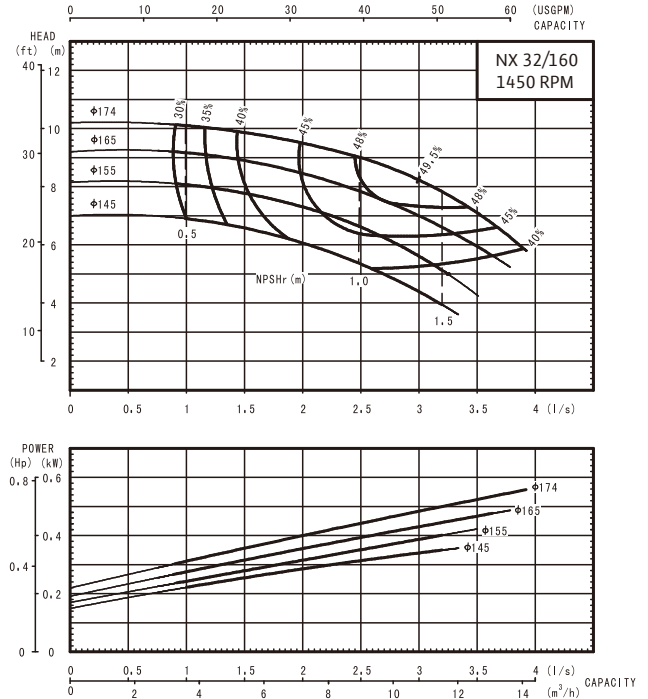


# Pump curves Wilo-NX (4-pole)

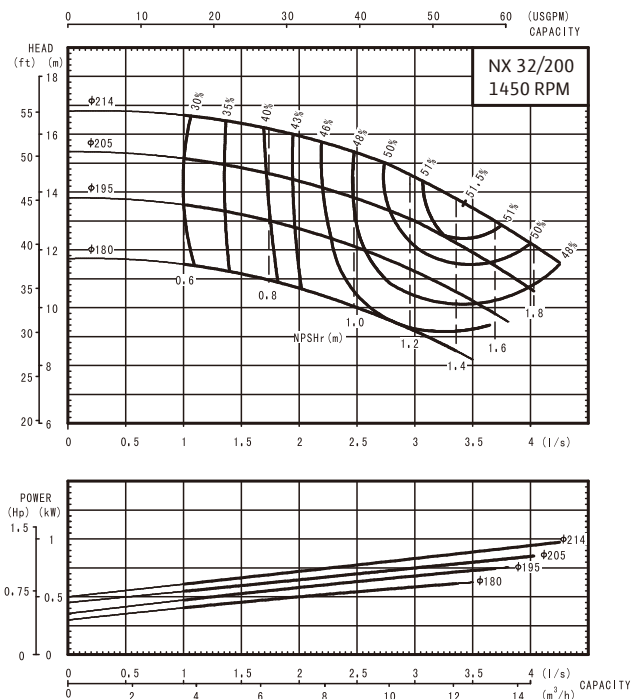
Wilo-NX 32/130  
Speed 1450 RPM



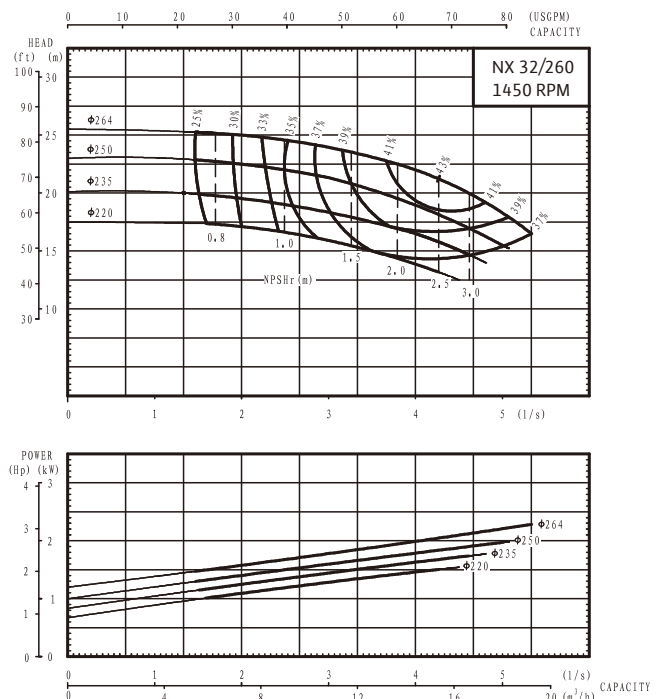
Wilo-NX 32/160  
Speed 1450 RPM



Wilo-NX 32/200  
Speed 1450 RPM

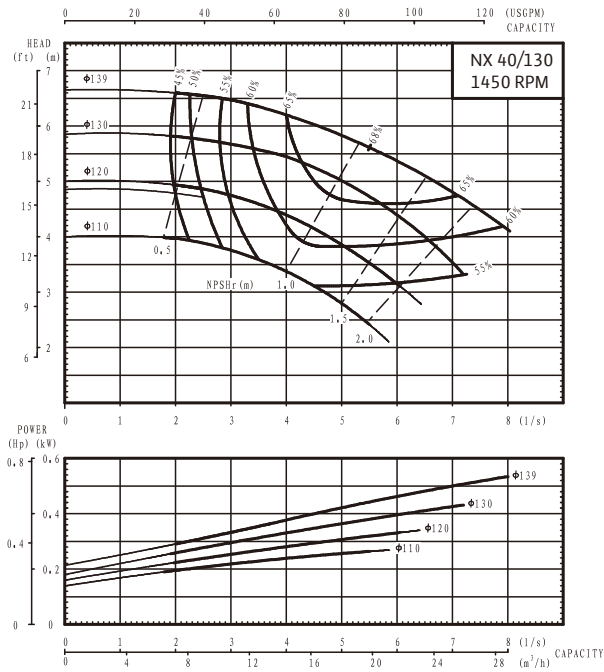


Wilo-NX 32/260  
Speed 1450 RPM

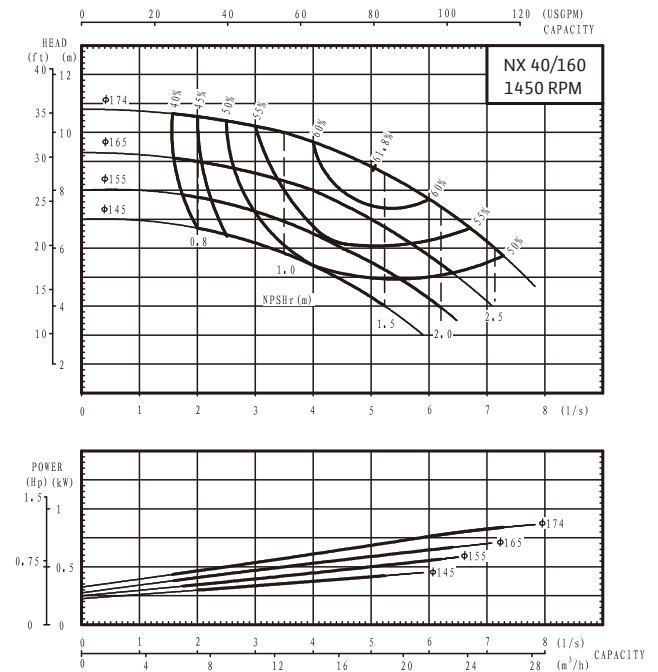


## Pump curves Wilo-NX (4-pole)

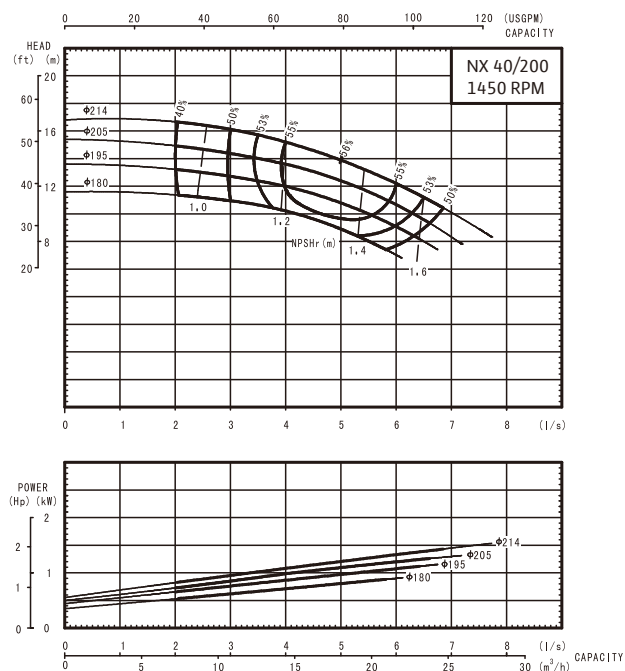
Wilo-NX 40/130  
Speed 1450 RPM



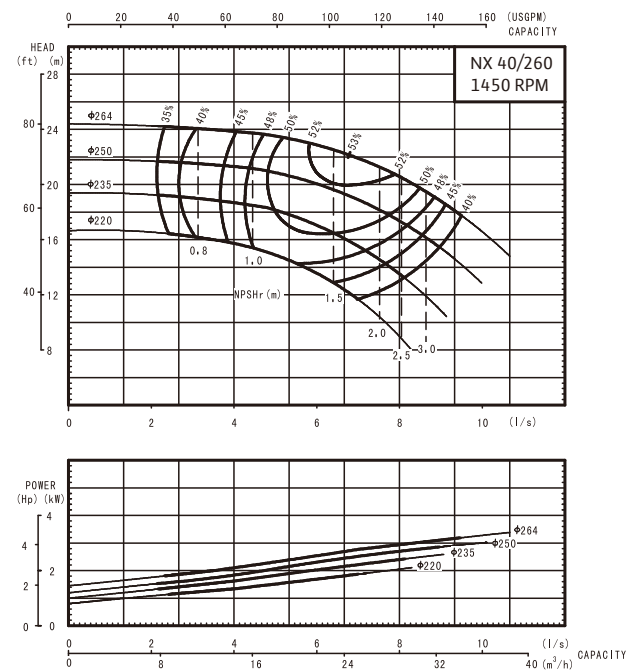
Wilo-NX 40/160  
Speed 1450 RPM



Wilo-NX 40/200  
Speed 1450 RPM



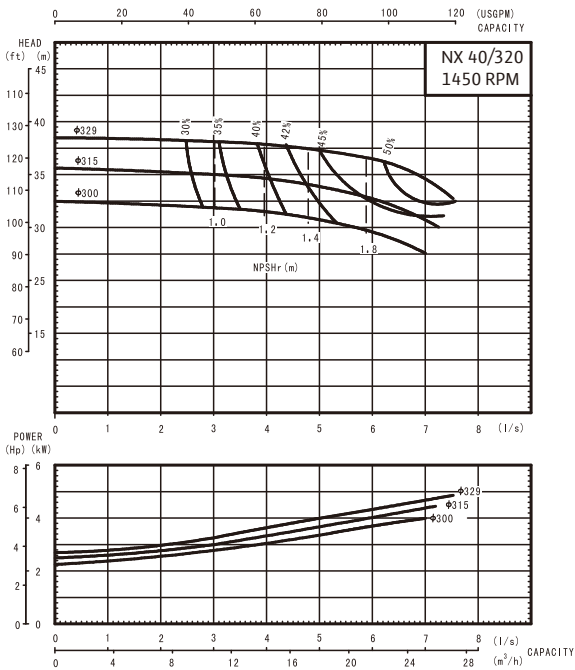
Wilo-NX 40/260  
Speed 1450 RPM



## Pump curves Wilo-NX (4-pole)

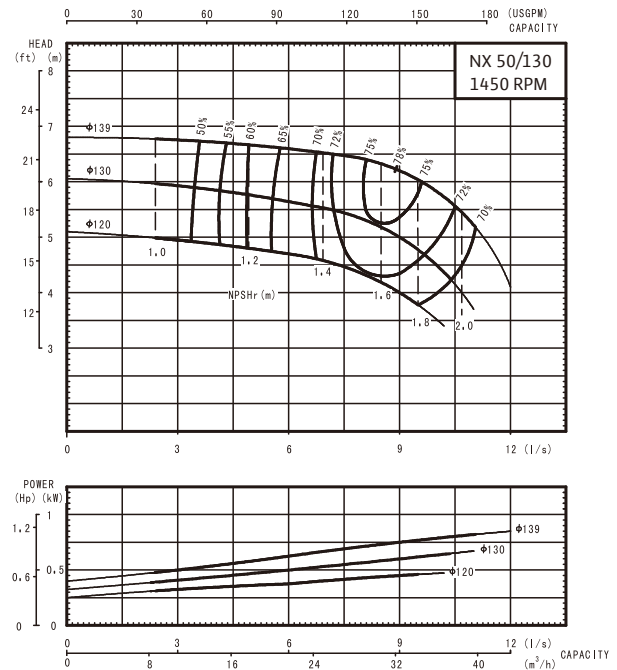
Wilo-NX 40/320

Speed 1450 RPM



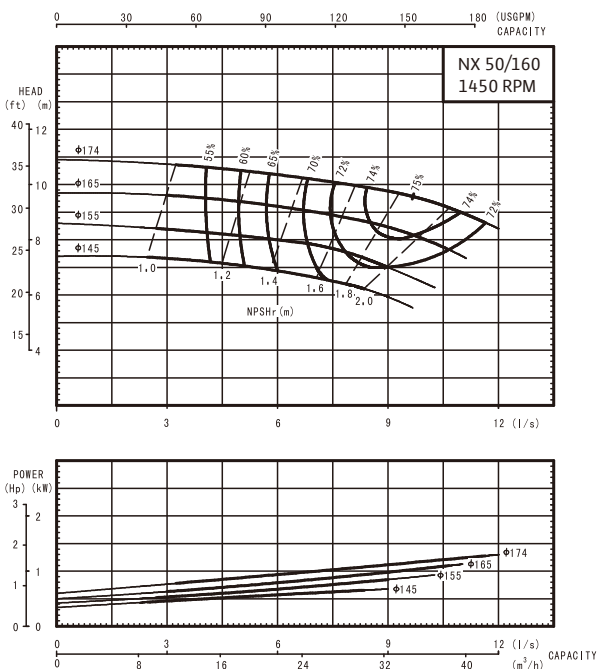
Wilo-NX 50/130

Speed 1450 RPM



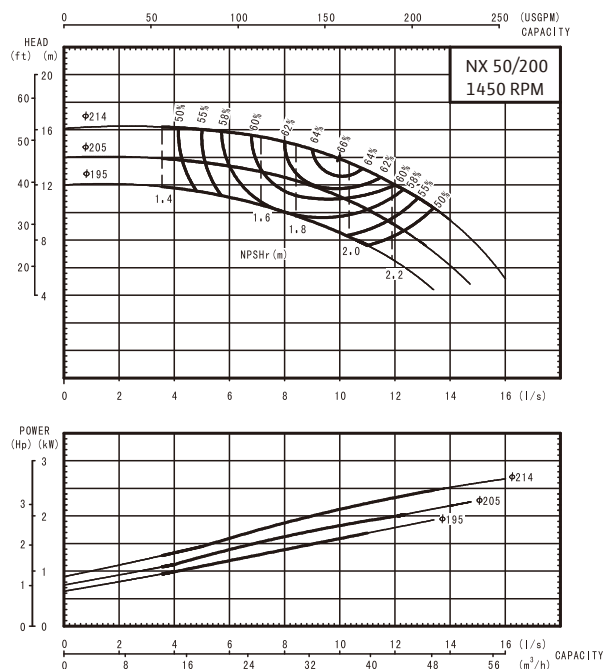
Wilo-NX 50/160

Speed 1450 RPM



Wilo-NX 50/200

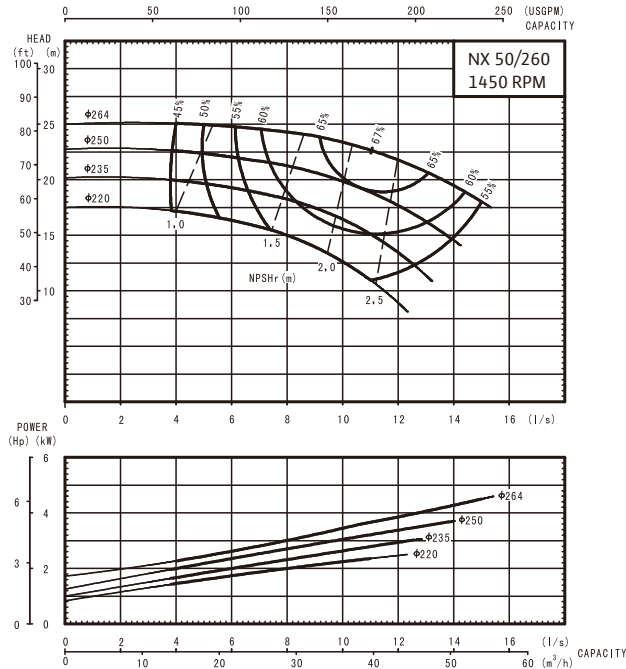
Speed 1450 RPM



## Pump curves Wilo-NX (4-pole)

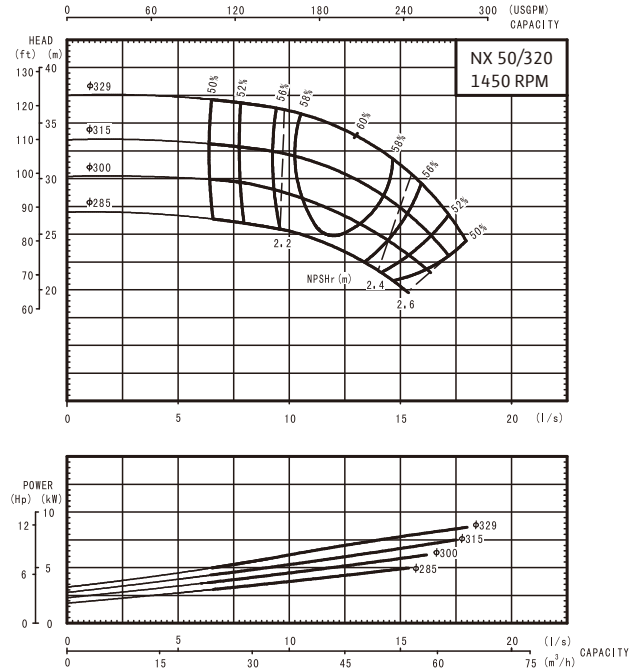
Wilo-NX 50/260

Speed 1450 RPM



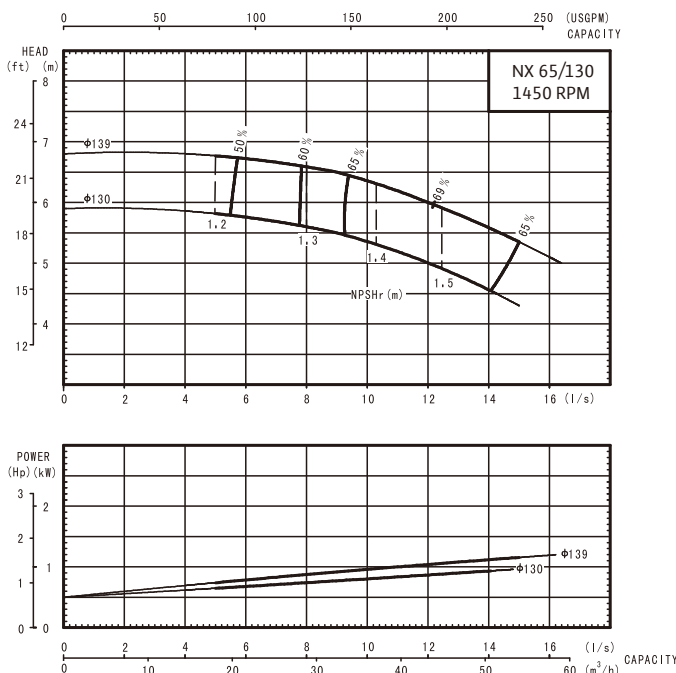
Wilo-NX 50/320

Speed 1450 RPM



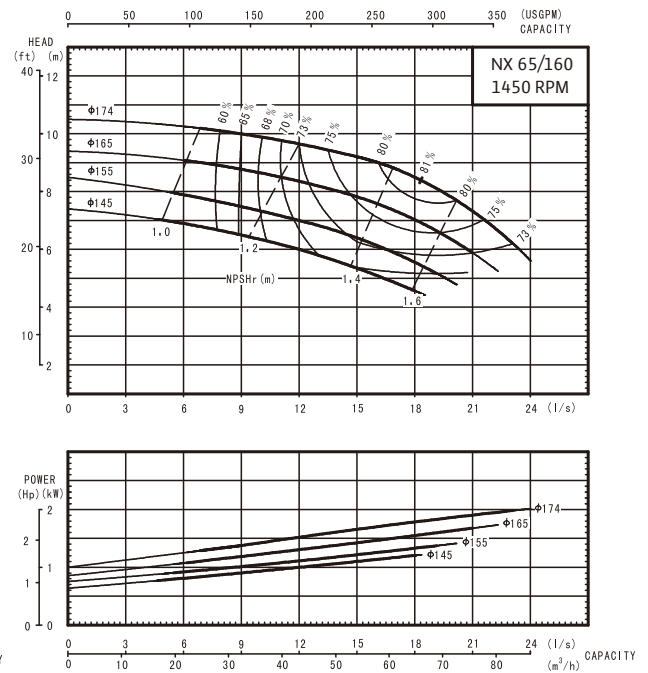
Wilo-NX 65/130

Speed 1450 RPM



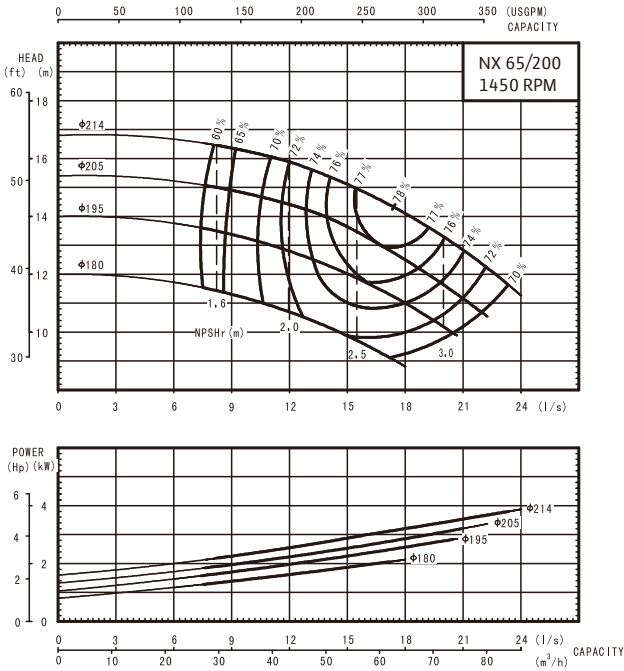
Wilo-NX 65/160

Speed 1450 RPM

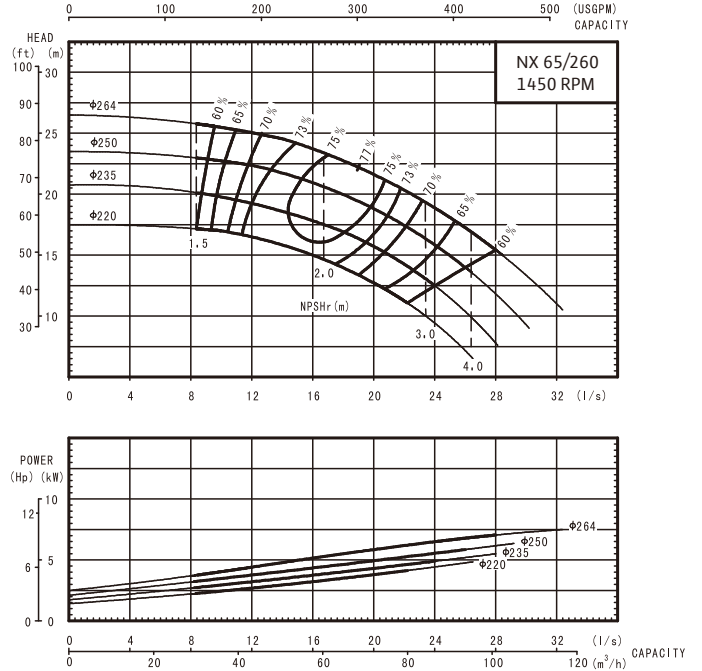


# Pump curves Wilo-NX (4-pole)

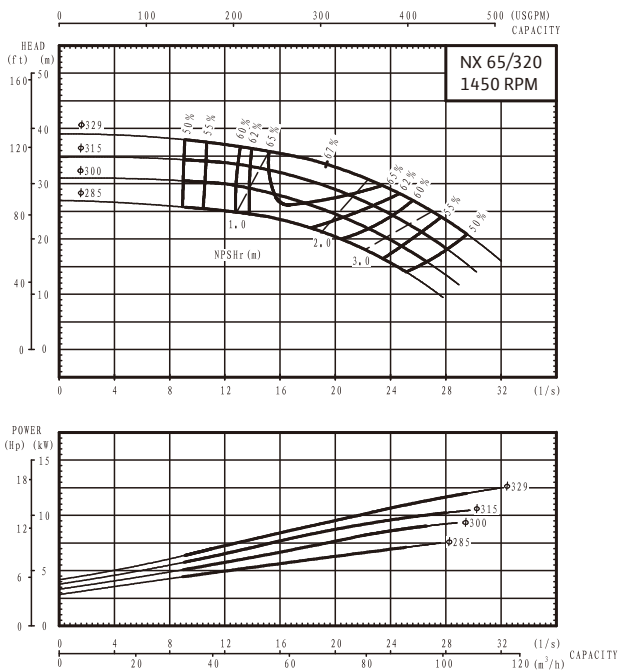
Wilo-NX 65/200  
Speed 1450 RPM



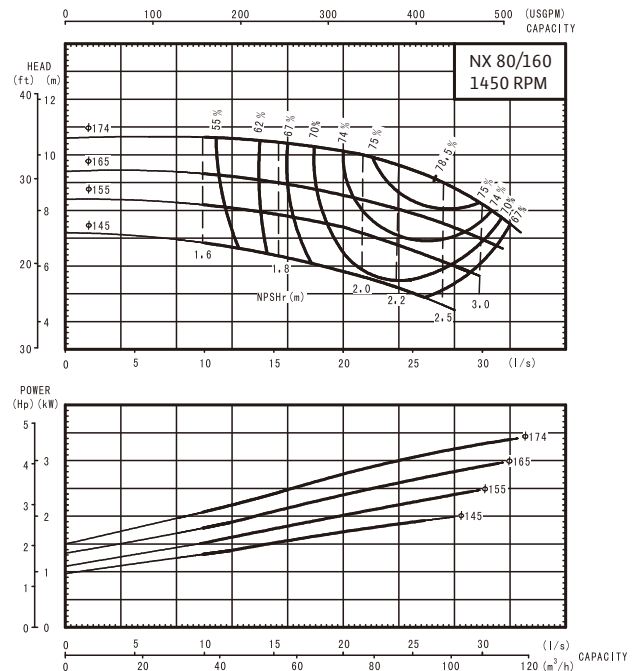
Wilo-NX 65/260  
Speed 1450 RPM



Wilo-NX 65/320  
Speed 1450 RPM



Wilo-NX 80/160  
Speed 1450 RPM

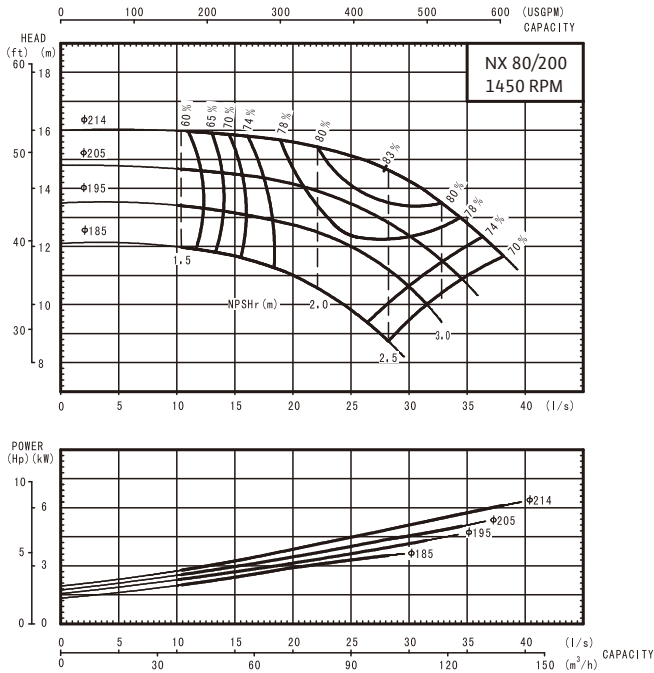


性能曲线

## Pump curves Wilo-NX (4-pole)

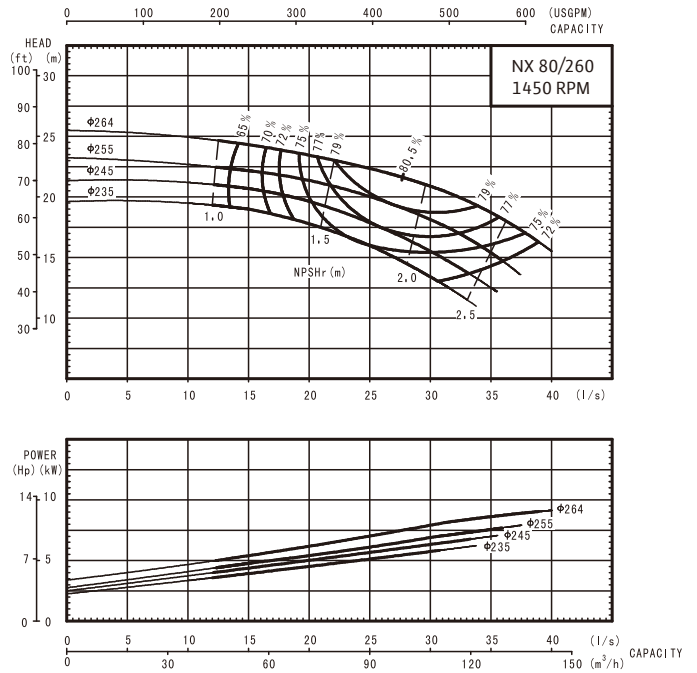
Wilo-NX 80/200

Speed 1450 RPM



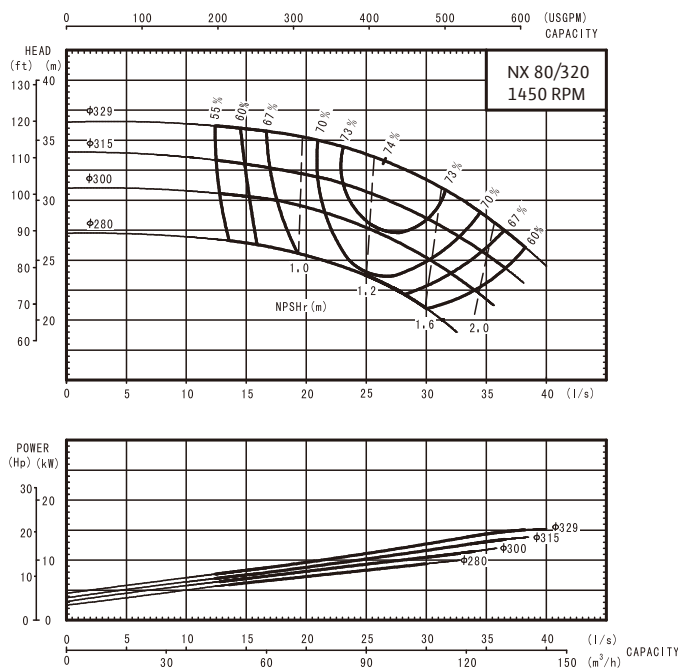
Wilo-NX 80/260

Speed 1450 RPM



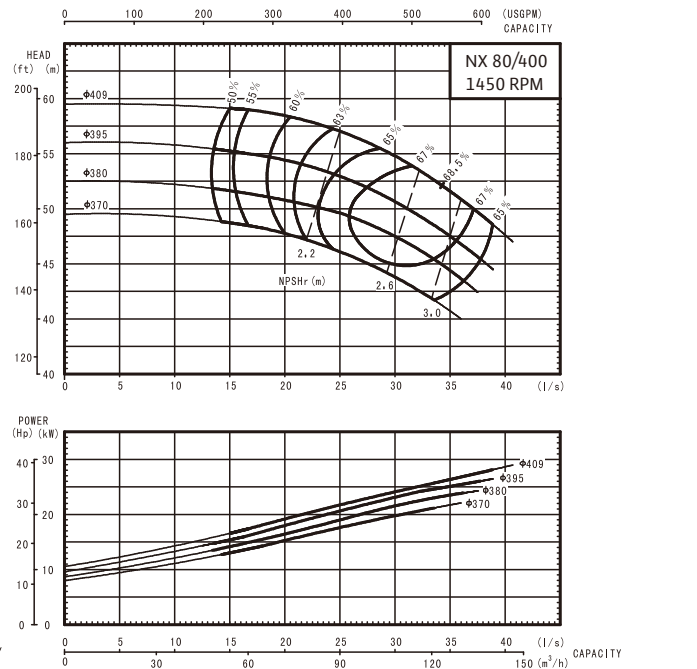
Wilo-NX 80/320

Speed 1450 RPM



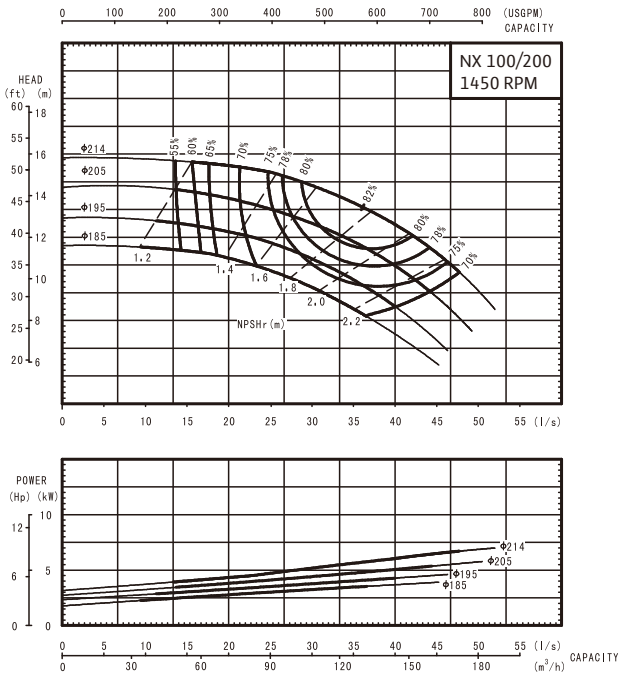
Wilo-NX 80/400

Speed 1450 RPM

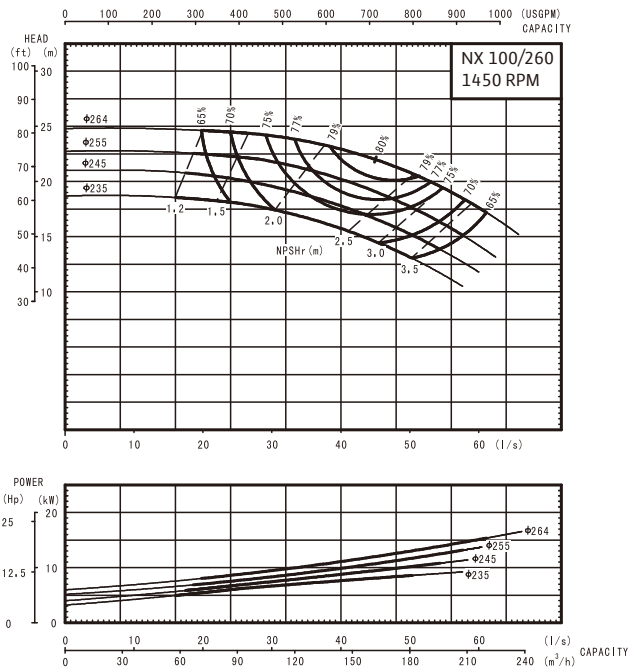


# Pump curves Wilo-NX (4-pole)

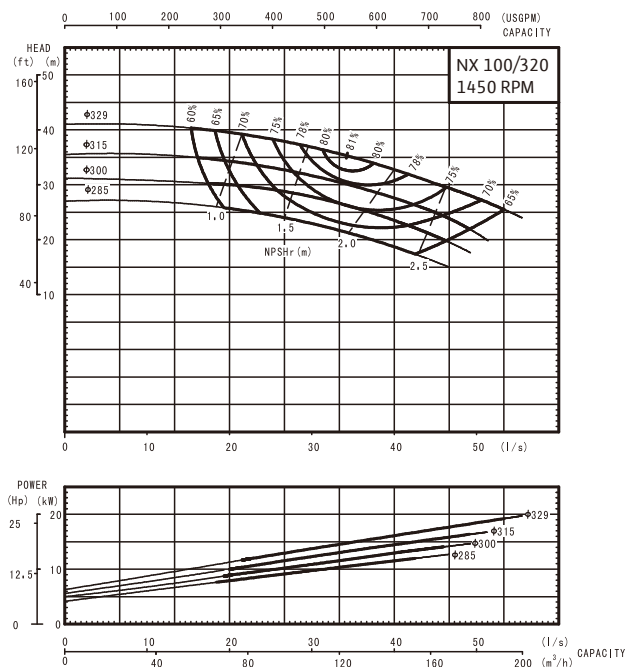
Wilo-NX 100/200  
Speed 1450 RPM



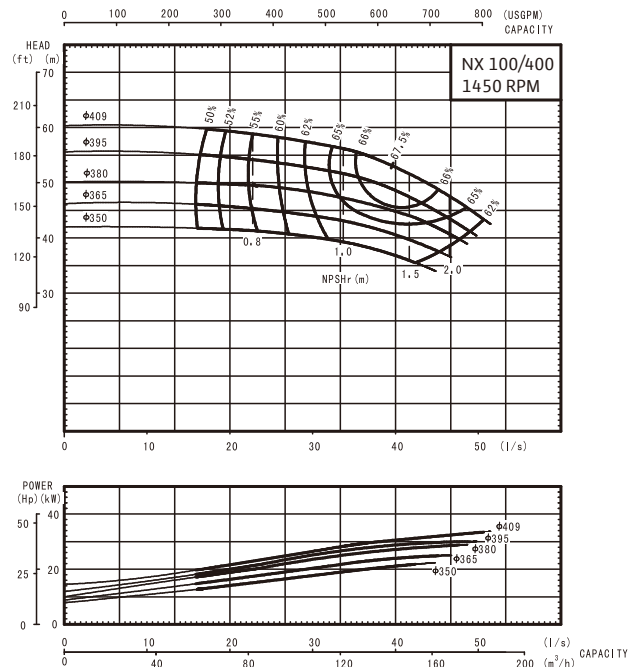
Wilo-NX 100/260  
Speed 1450 RPM



Wilo-NX 100/320  
Speed 1450 RPM



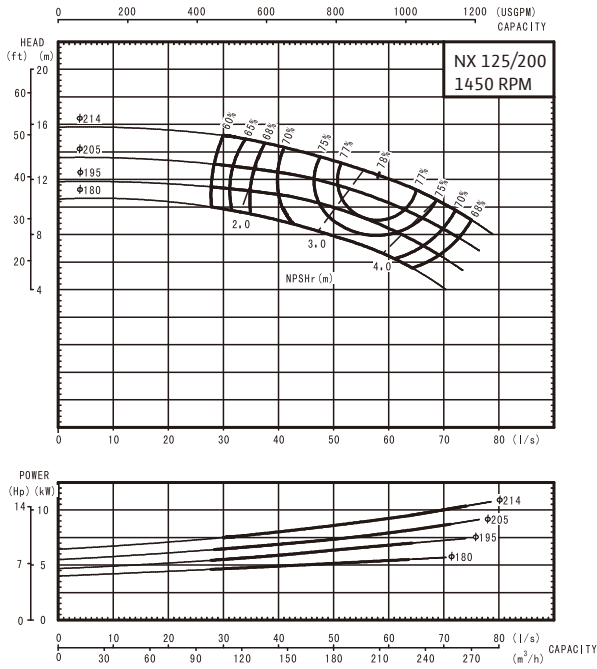
Wilo-NX 100/400  
Speed 1450 RPM



## Pump curves Wilo-NX (4-pole)

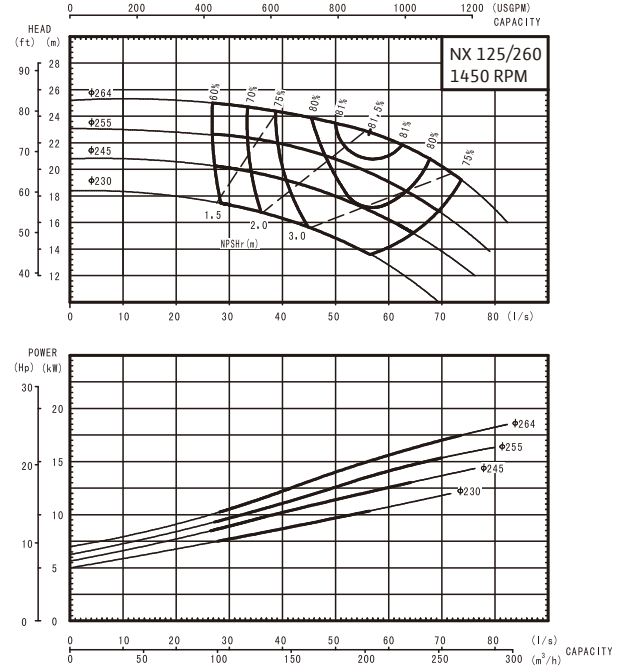
Wilo-NX 125/200

Speed 1450 RPM



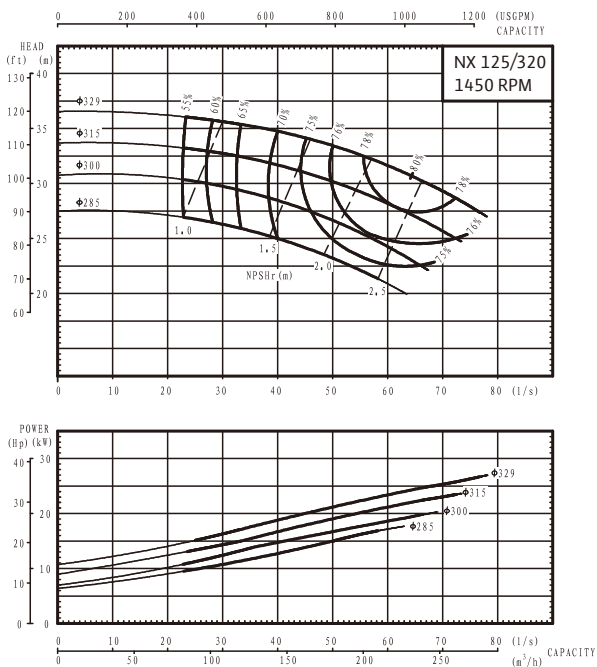
Wilo-NX 125/260

Speed 1450 RPM



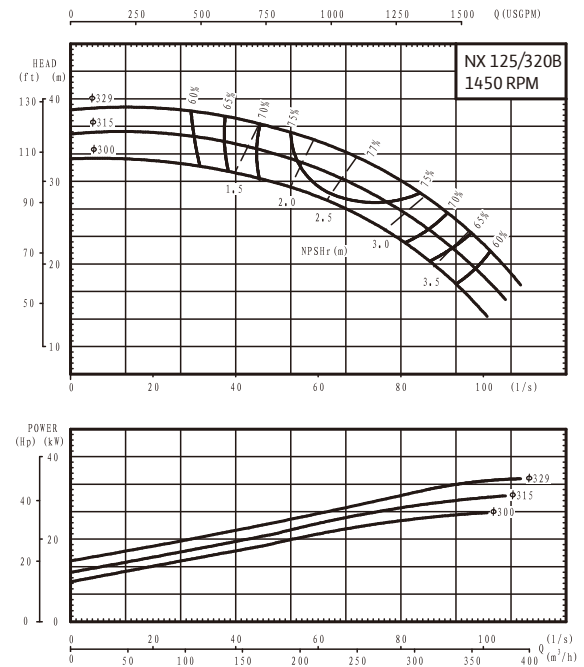
Wilo-NX 125/320

Speed 1450 RPM



Wilo-NX 125/320B

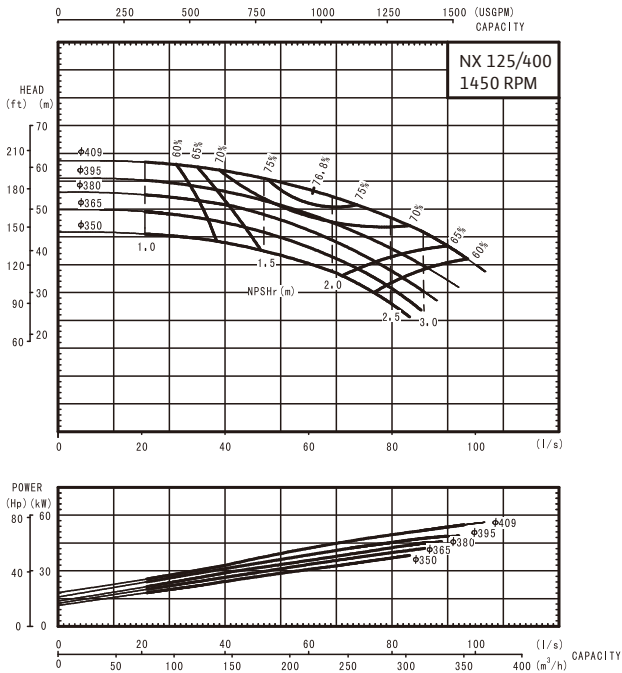
Speed 1450 RPM



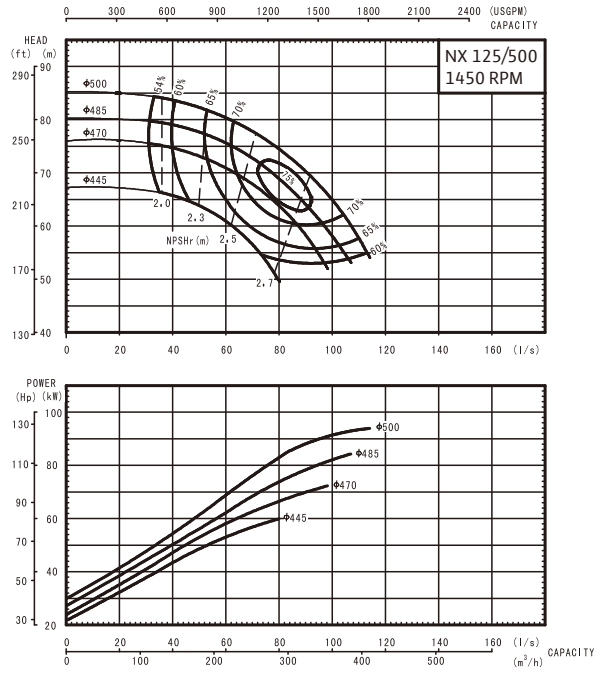


# Pump curves Wilo-NX (4-pole)

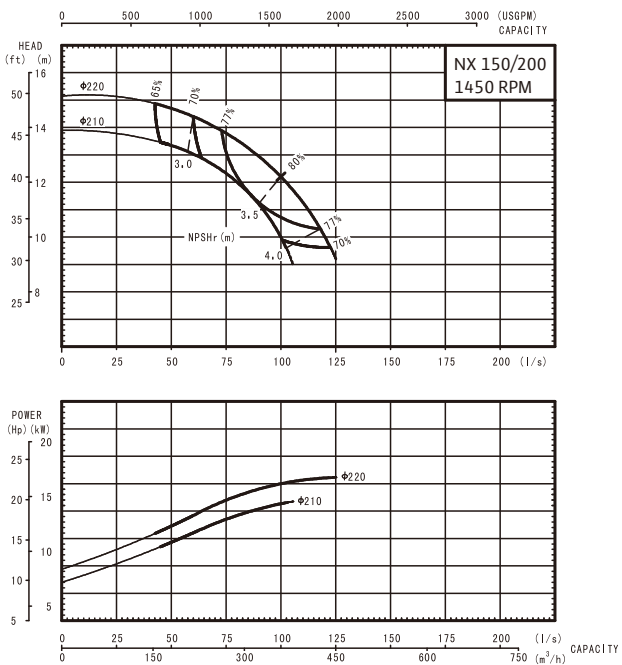
Wilo-NX 125/400  
Speed 1450 RPM



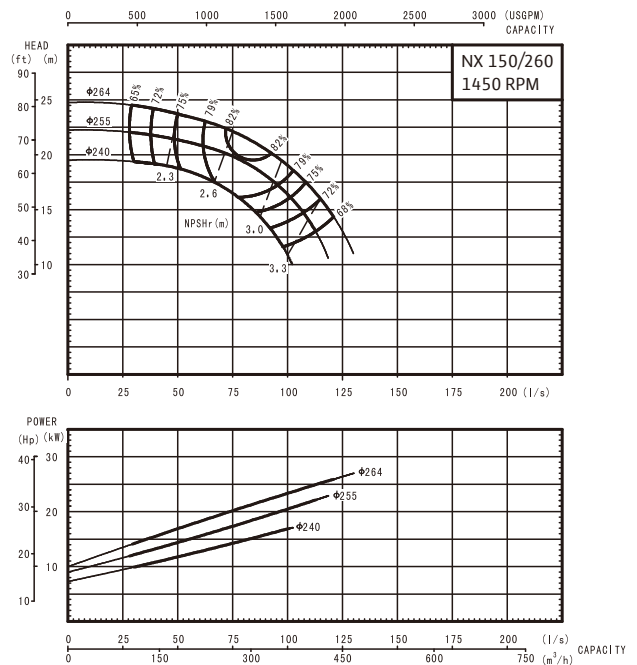
Wilo-NX 125/500  
Speed 1450 RPM



Wilo-NX 150/200  
Speed 1450 RPM



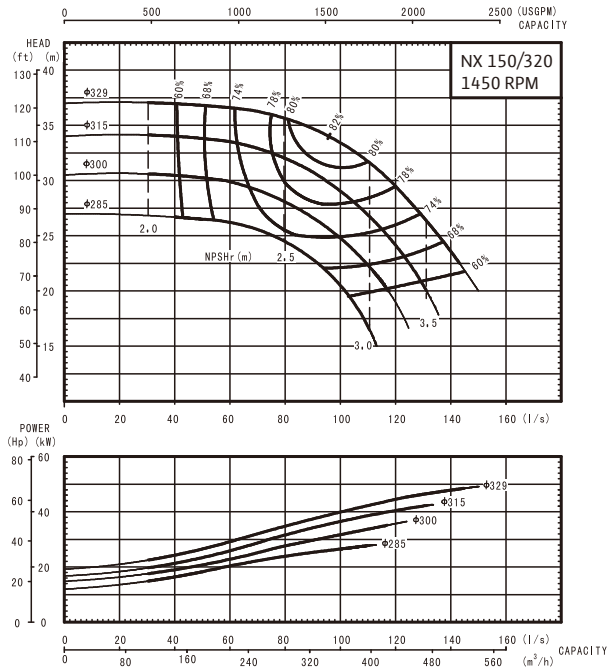
Wilo-NX 150/260  
Speed 1450 RPM



## Pump curves Wilo-NX (4-pole)

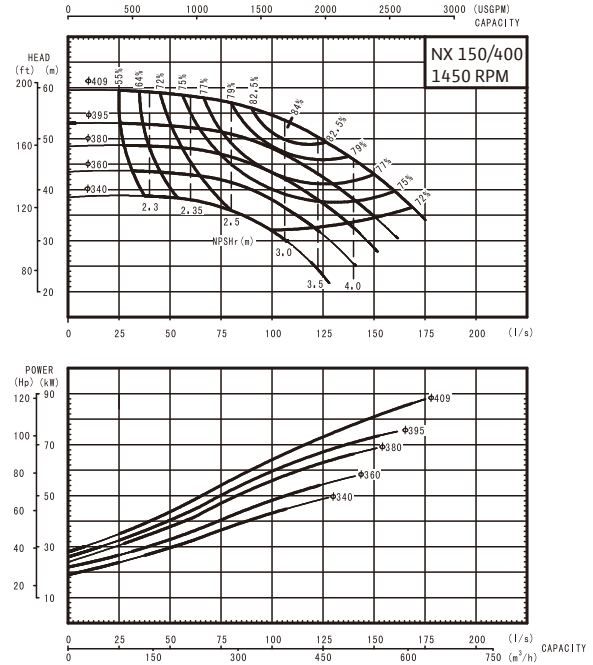
Wilo-NX 150/320

Speed 1450 RPM



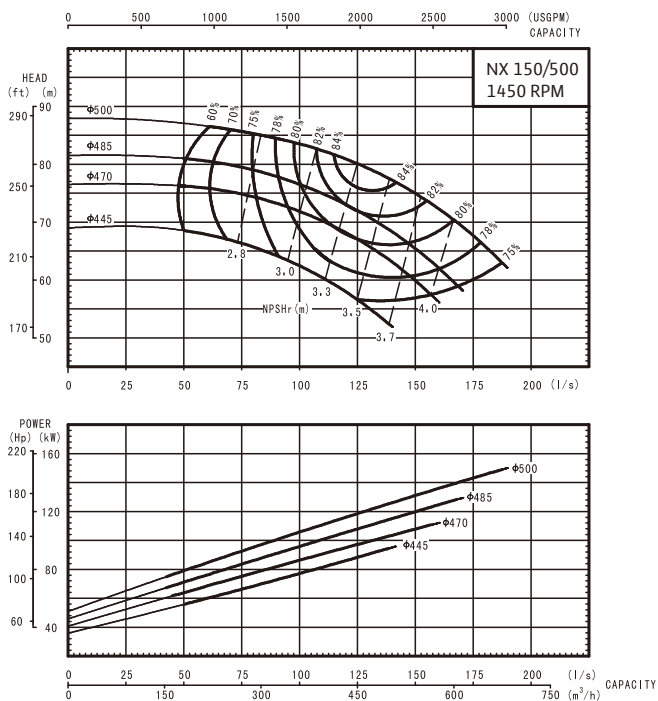
Wilo-NX 150/400

Speed 1450 RPM



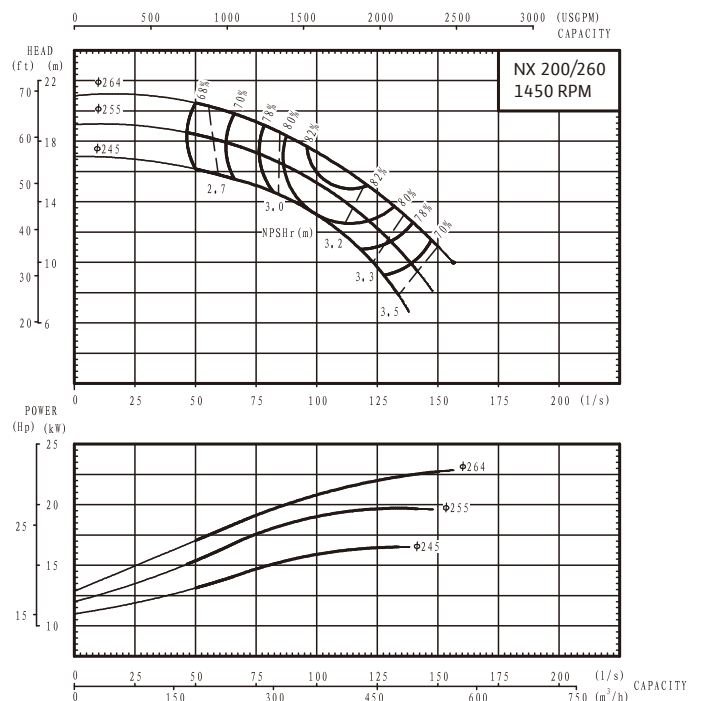
Wilo-NX 150/500

Speed 1450 RPM



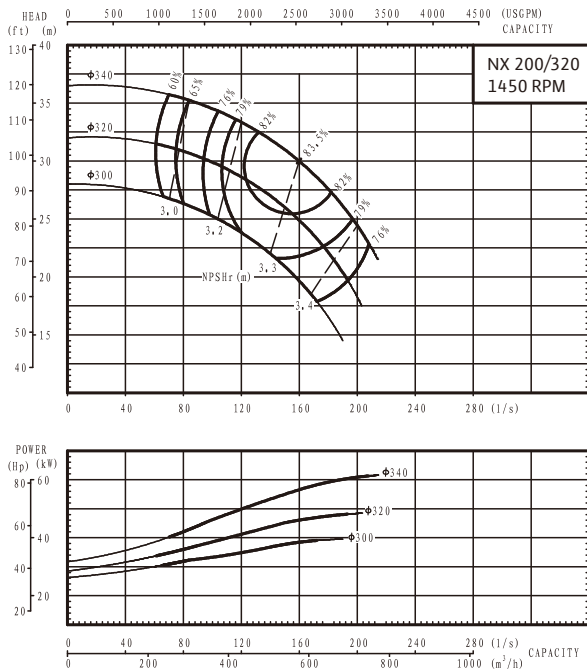
Wilo-NX 200/260

Speed 1450 RPM

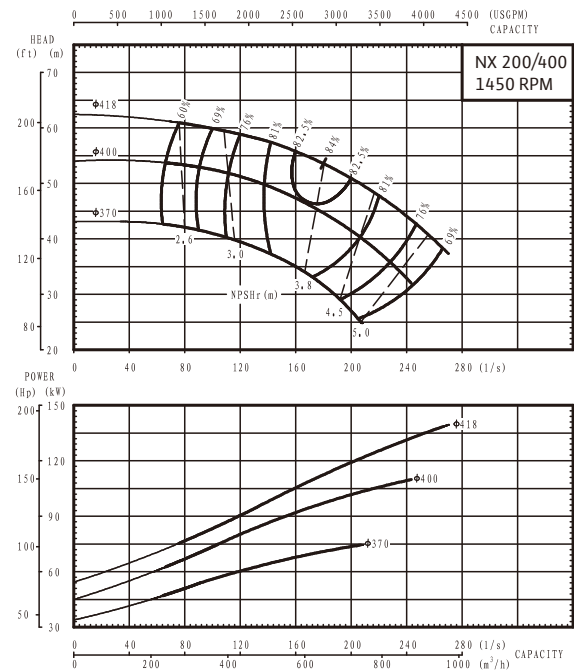


# Pump curves Wilo-NX (4-pole)

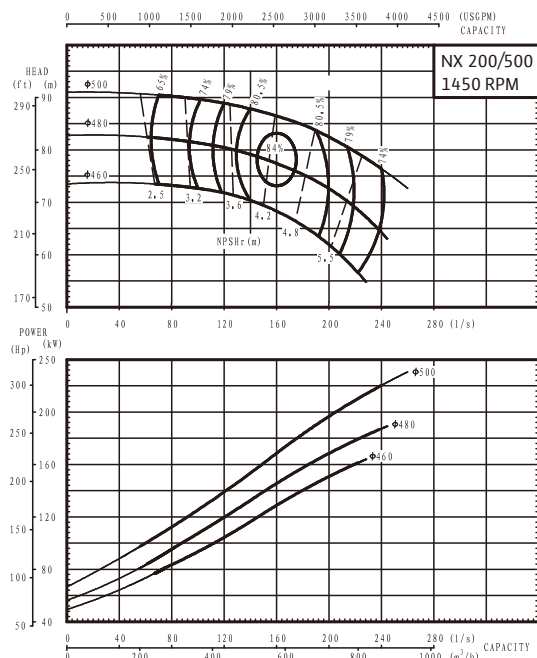
Wilo-NX 200/320  
Speed 1450 RPM



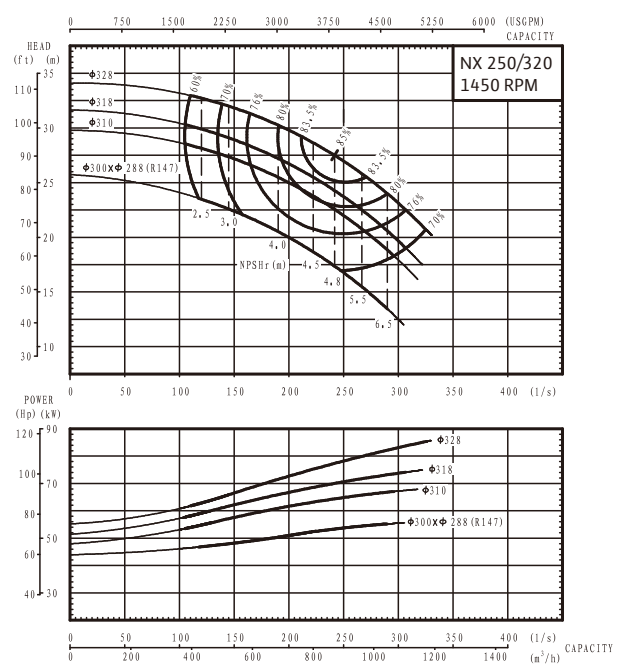
Wilo-NX 200/400  
Speed 1450 RPM



Wilo-NX 200/500  
Speed 1450 RPM



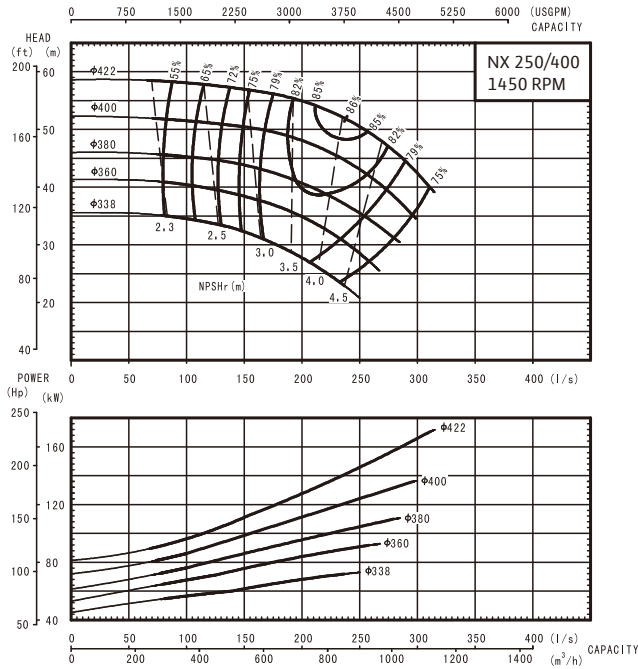
Wilo-NX 250/320  
Speed 1450 RPM



## Pump curves Wilo-NX (4-pole)

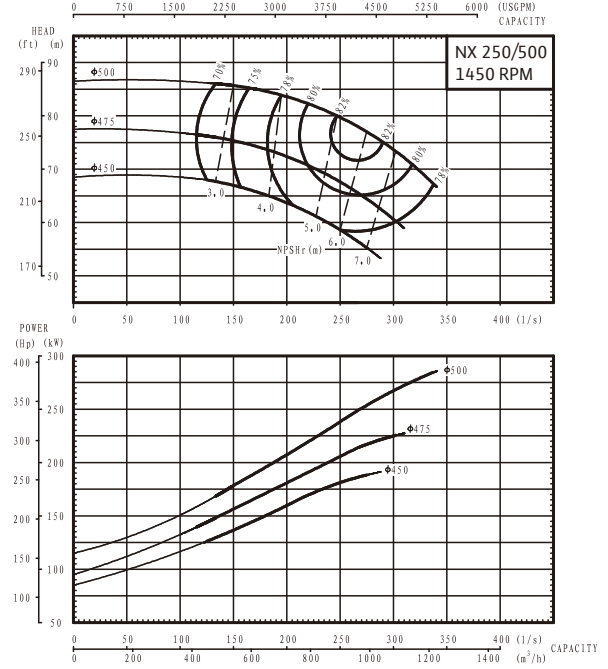
Wilo-NX 250/400

Speed 1450 RPM



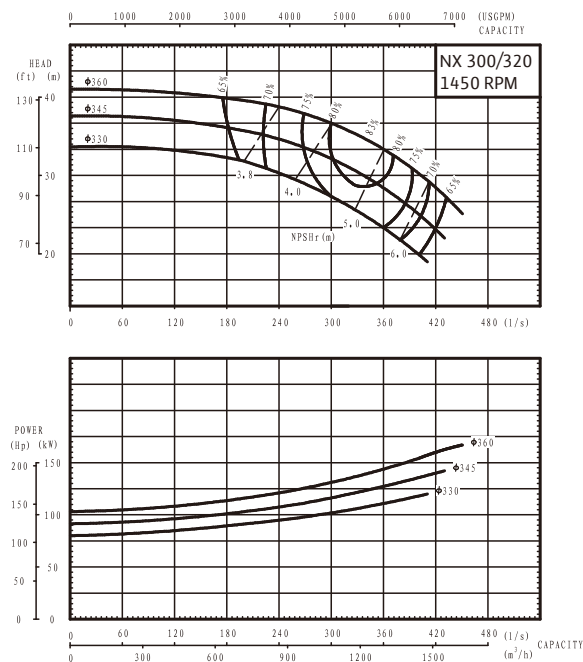
Wilo-NX 250/500

Speed 1450 RPM



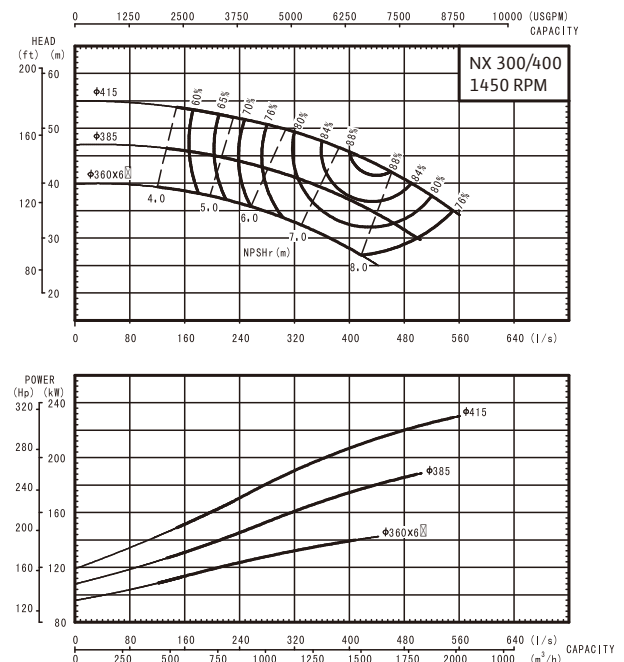
Wilo-NX 300/320

Speed 1450 RPM



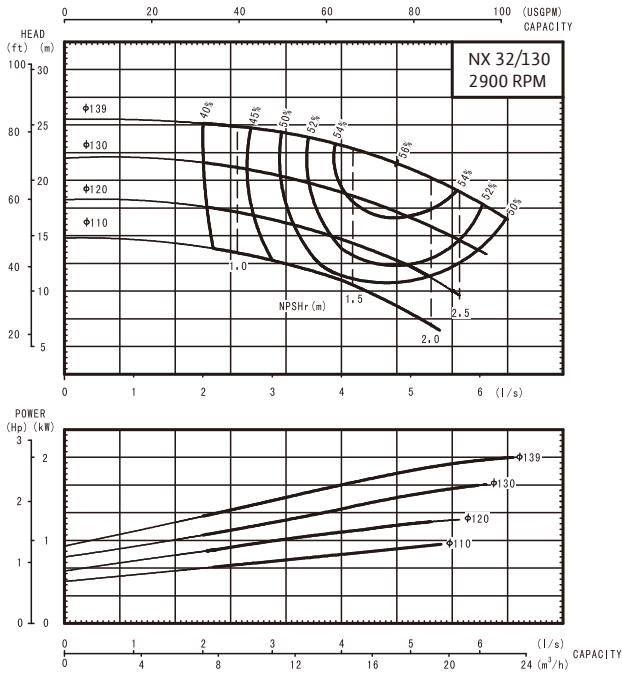
Wilo-NX 300/400

Speed 1450 RPM

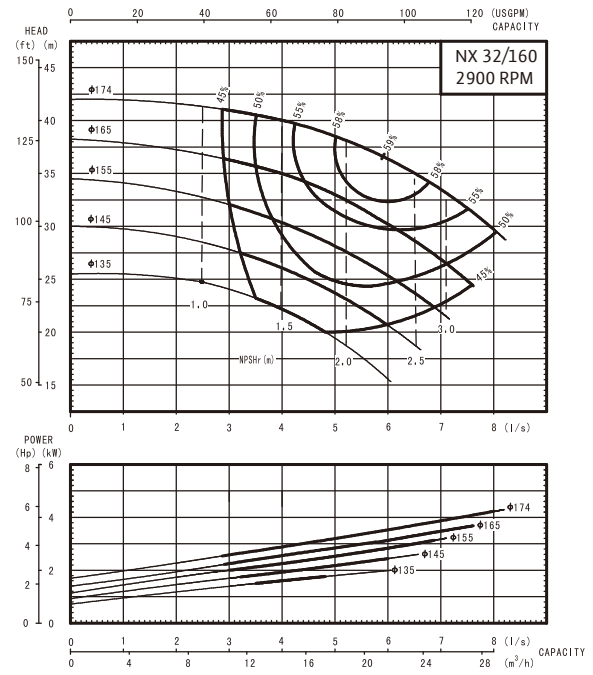


# Pump curves Wilo-NX (2-pole)

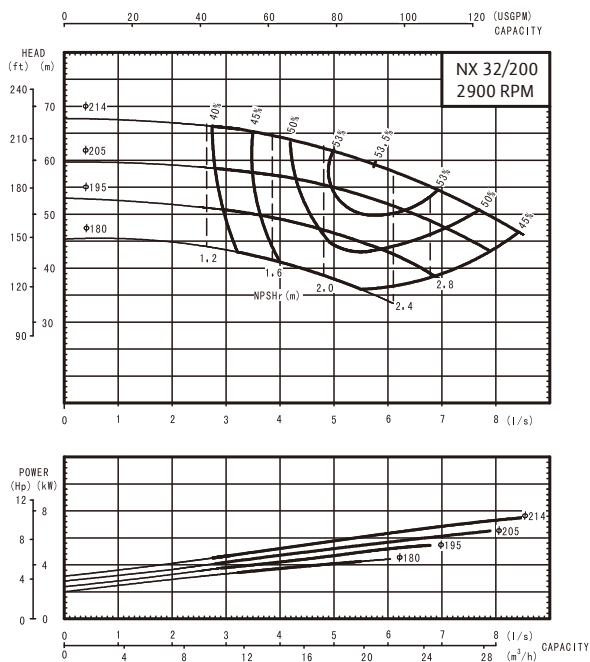
Wilo-NX 32/130  
Speed 2900 RPM



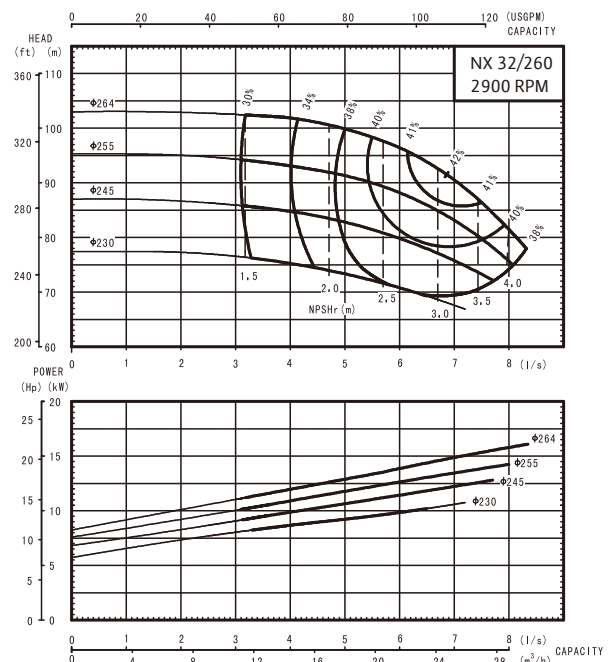
Wilo-NX 32/160  
Speed 2900 RPM



Wilo-NX 32/200  
Speed 2900 RPM



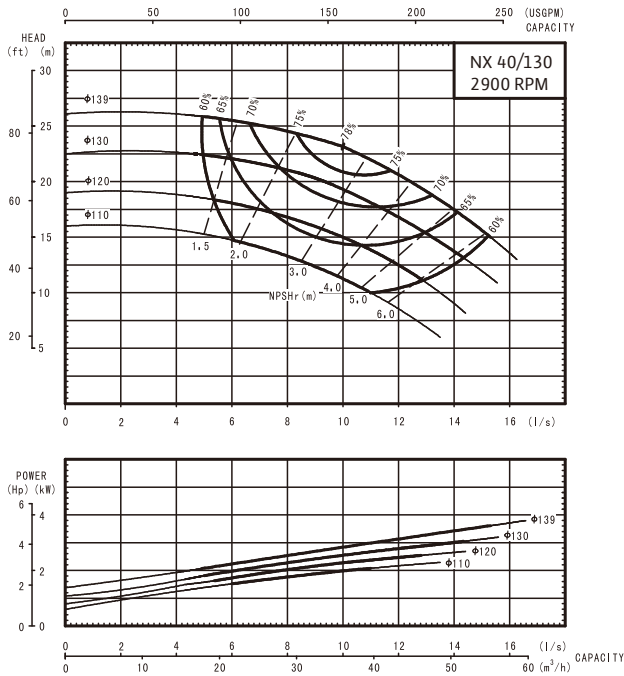
Wilo-NX 32/260  
Speed 2900 RPM



## Pump curves Wilo-NX (2-pole)

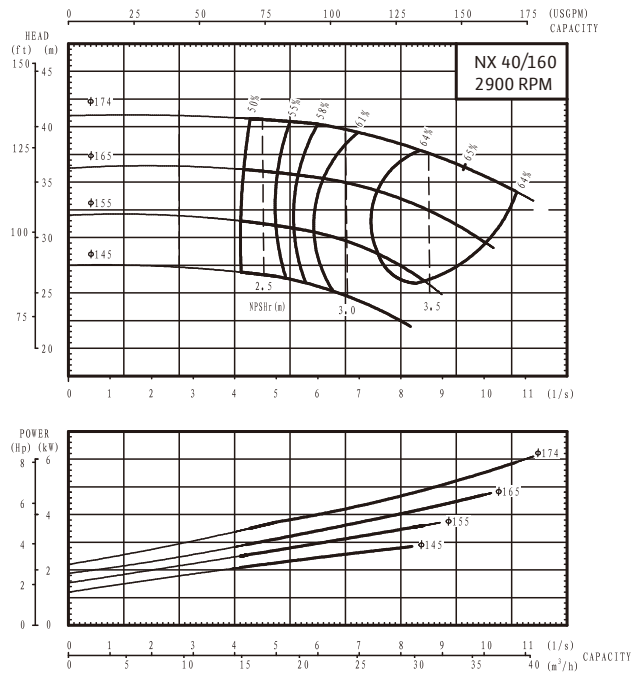
Wilo-NX 40/130

Speed 2900 RPM



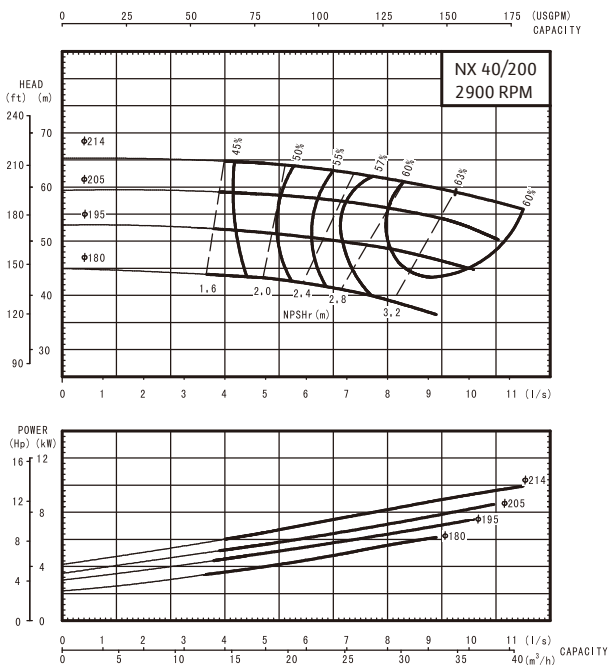
Wilo-NX 40/160

Speed 2900 RPM



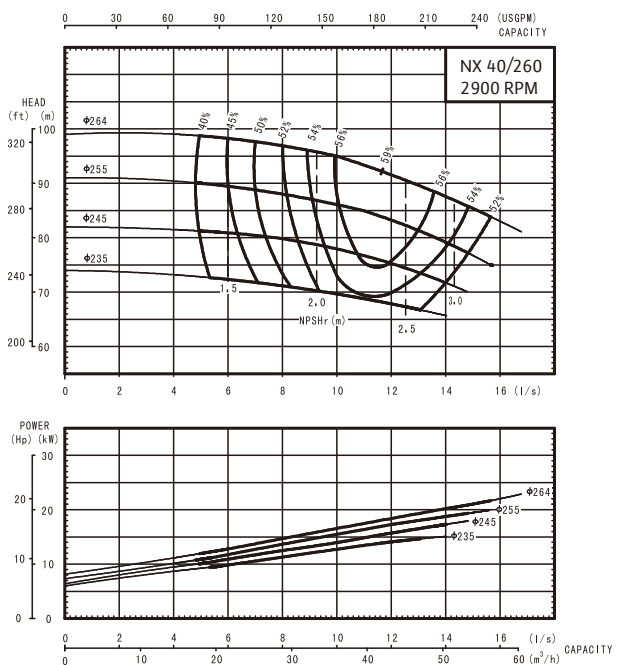
Wilo-NX 40/200

Speed 2900 RPM



Wilo-NX 40/260

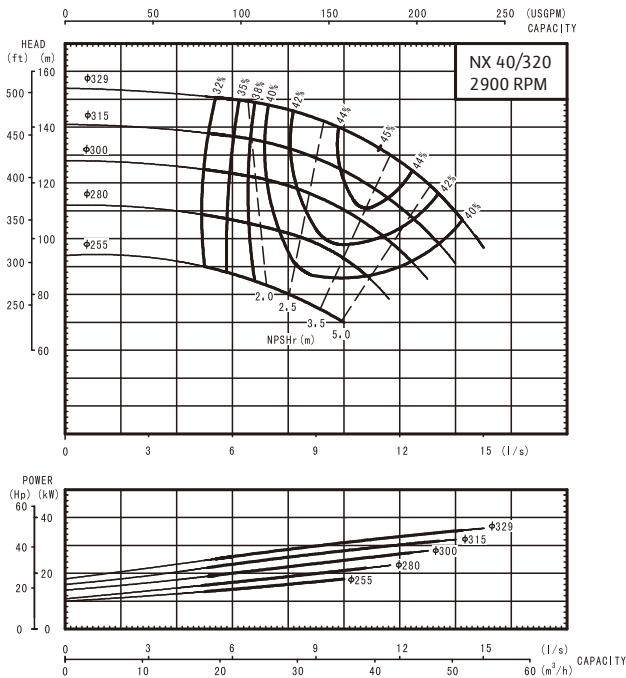
Speed 2900 RPM



# Pump curves Wilo-NX (2-pole)

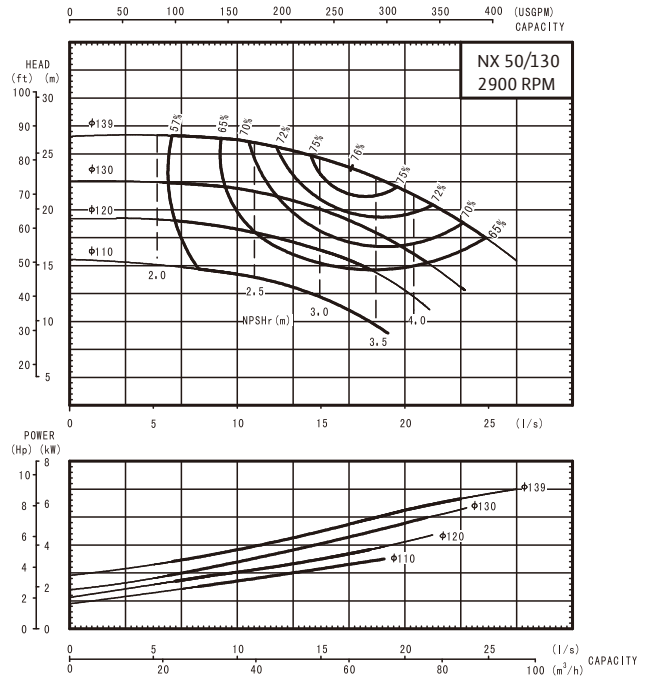
## Wilo-NX 40/320

Speed 2900 RPM



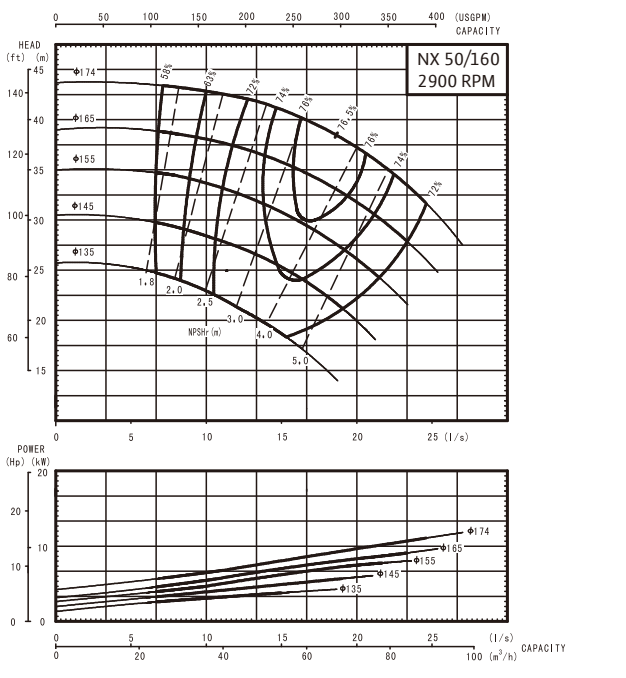
## Wilo-NX 50/130

Speed 2900 RPM



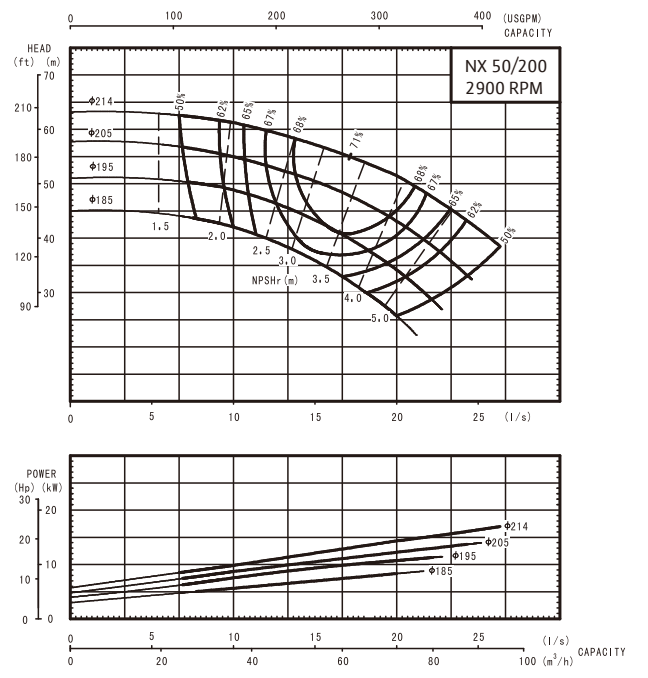
## Wilo-NX 50/160

Speed 2900 RPM



## Wilo-NX 50/200

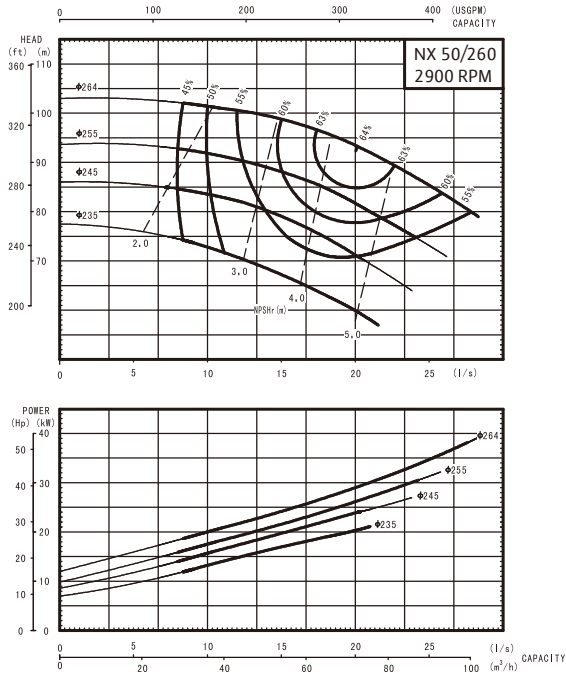
Speed 2900 RPM



## Pump curves Wilo-NX (2-pole)

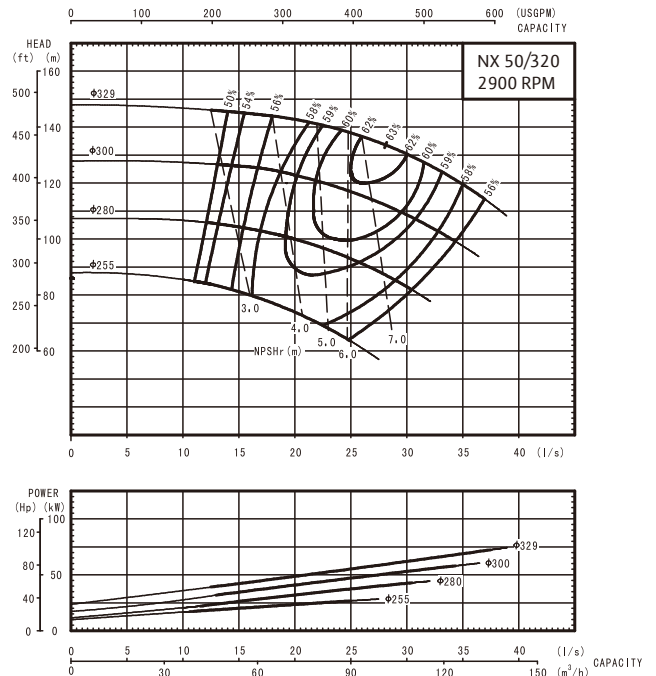
Wilo-NX 50/260

Speed 2900 RPM



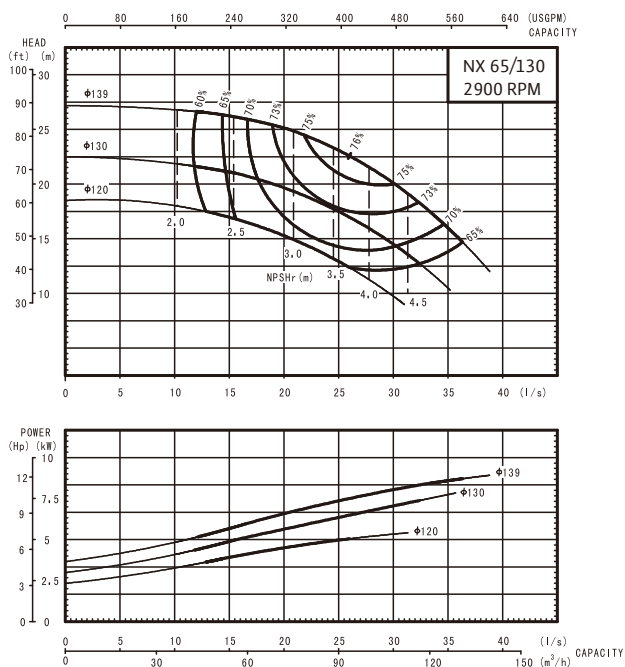
Wilo-NX 50/320

Speed 2900 RPM



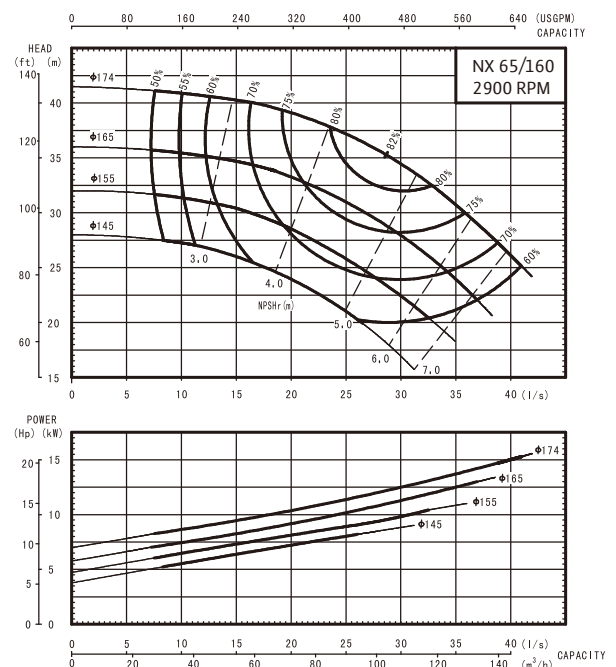
Wilo-NX 65/130

Speed 2900 RPM



Wilo-NX 65/160

Speed 2900 RPM

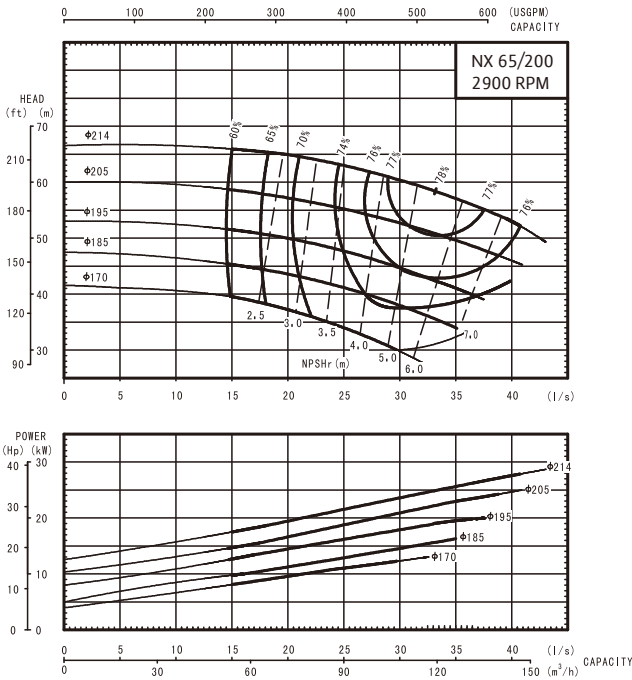




# Pump curves Wilo-NX (2-pole)

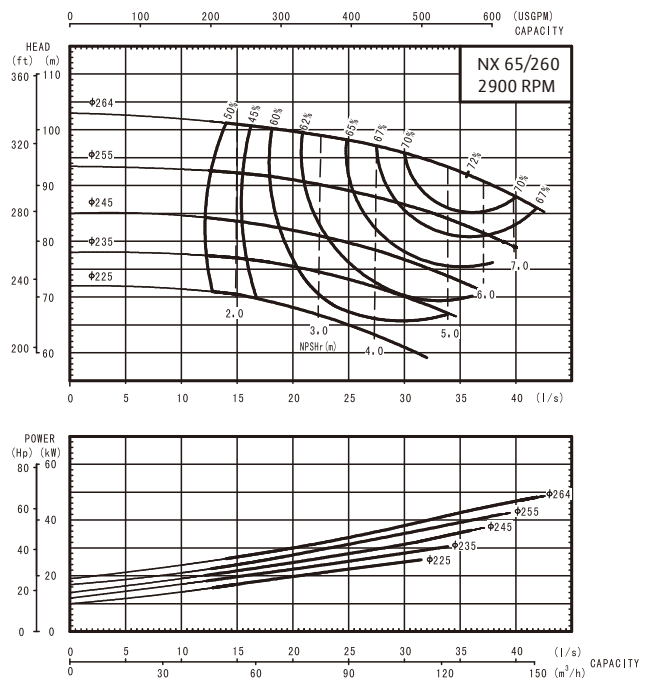
Wilo-NX 65/200

Speed 2900 RPM



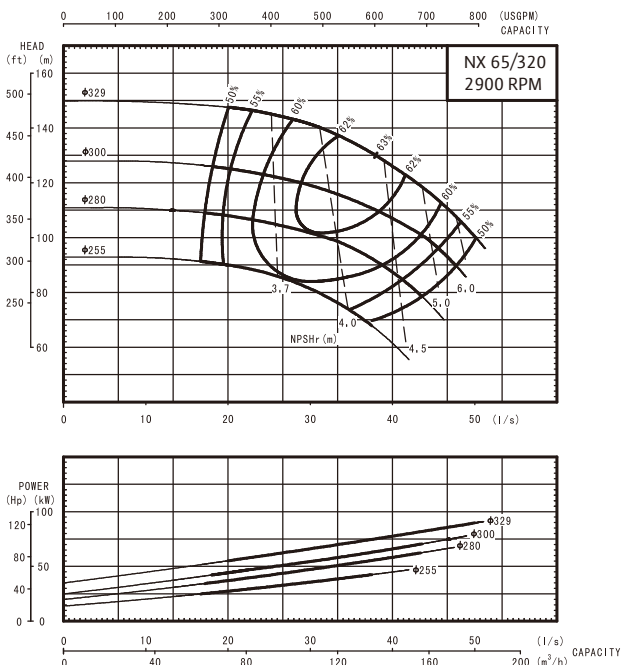
Wilo-NX 65/260

Speed 2900 RPM



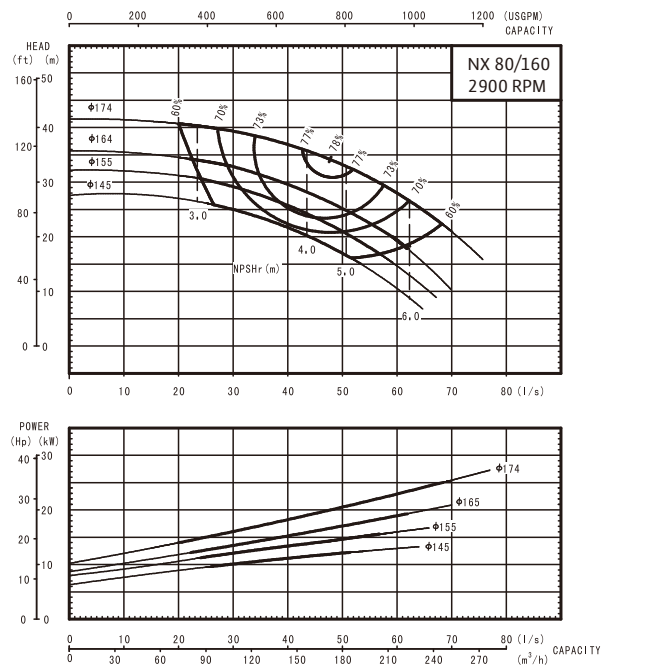
Wilo-NX 65/320

Speed 2900 RPM



Wilo-NX 80/160

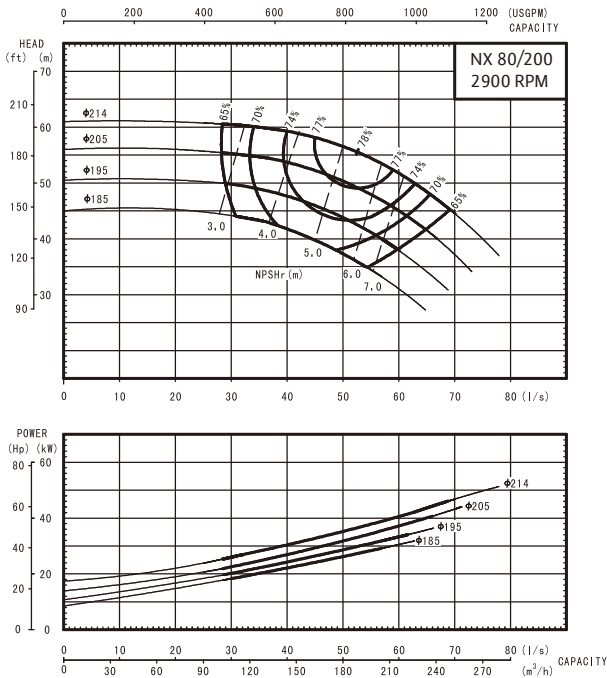
Speed 2900 RPM



## Pump curves Wilo-NX (2-pole)

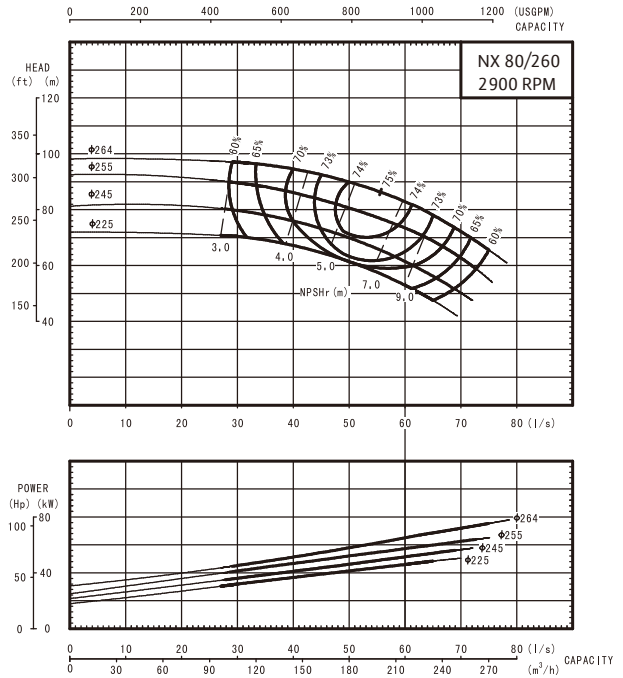
Wilo-NX 80/200

Speed 2900 RPM



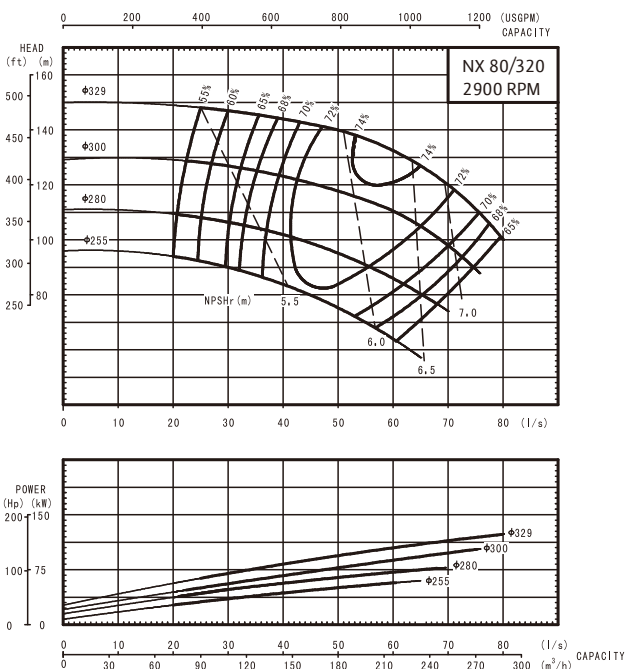
Wilo-NX 80/260

Speed 2900 RPM



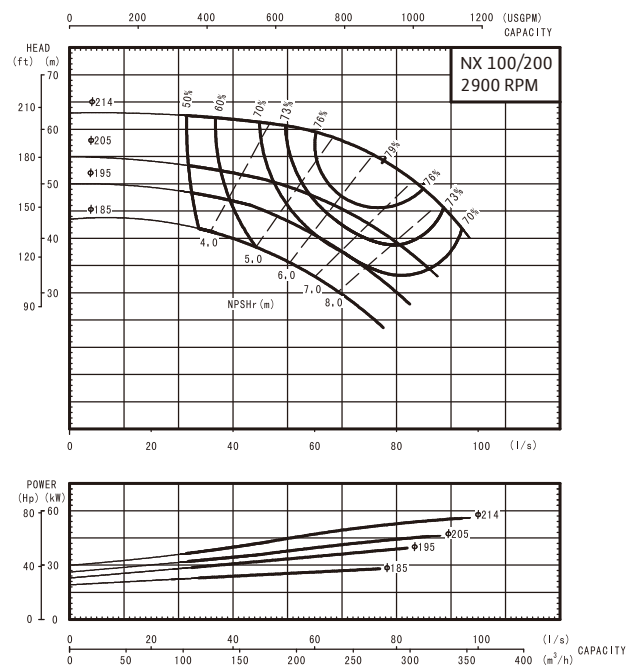
Wilo-NX 80/320

Speed 2900 RPM



Wilo-NX 100/200

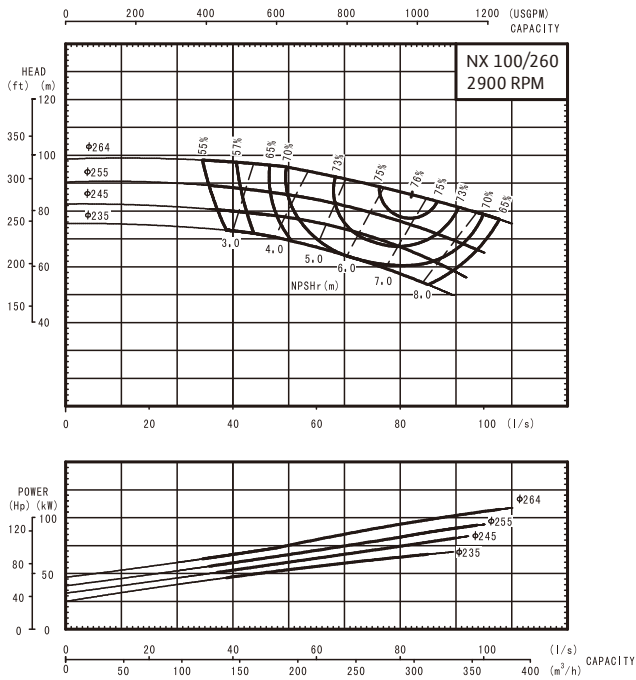
Speed 2900 RPM



## Pump curves Wilo-NX (2-pole)

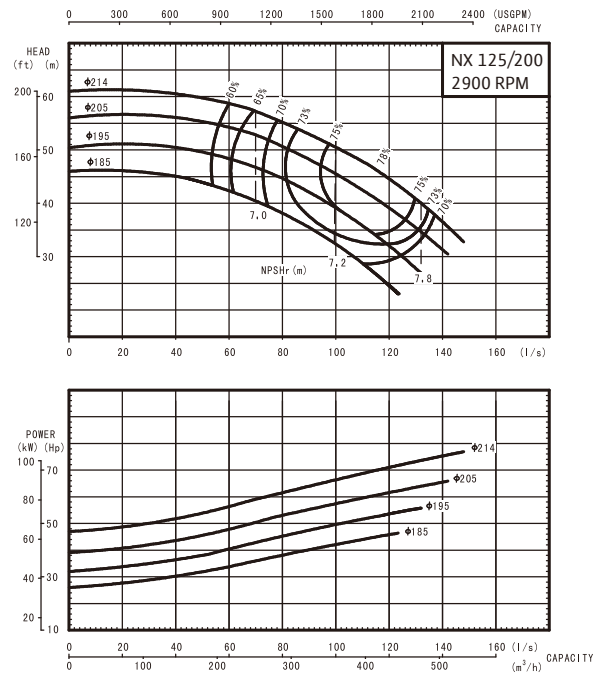
### Wilo-NX 100/260

Speed 2900 RPM



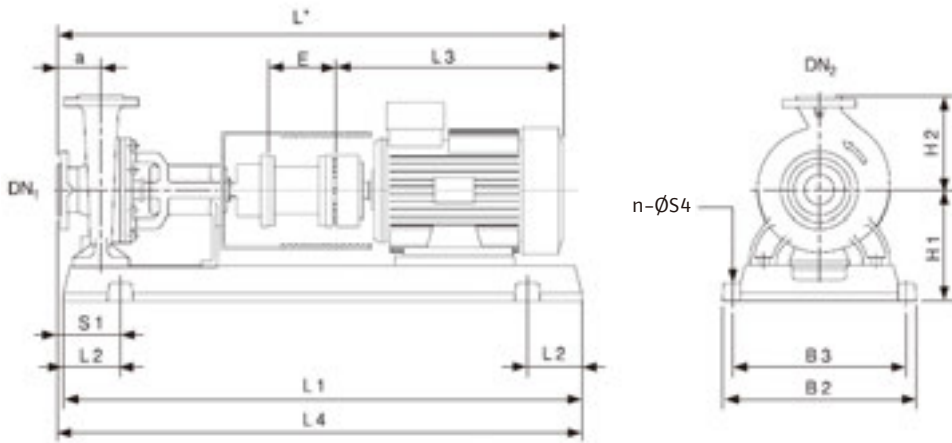
### Wilo-NX 125/200

Speed 2900 RPM



## Dimensions, weights Wilo-NX(with spacer coupling)

### Dimension drawing (with spacer coupling) 外形尺寸 (配易拆卸短节)



Motor data, dimensions, weights (1450 rpm, with spacer coupling) 电机参数, 外形尺寸及重量 (配易拆卸短节)

NX...	Nominal motor power	Motor size	Nominal diameter		Dimensions													Weight approx.
	电机额定功率	电机编码	公称直径	公称直径	外形尺寸													重量
	P <sub>2</sub>	—	DN <sub>1</sub>	DN <sub>2</sub>	A	H <sub>1</sub>	H <sub>2</sub>	n-ØS4	L*	L <sub>1</sub>	L <sub>2</sub>	L <sub>3</sub>	L <sub>4</sub>	S <sub>1</sub>	B <sub>2</sub>	B <sub>3</sub>	E	M
[kW]	[MG]			[mm]													[kg]	
32/130	0.37	71	50	32	80	215	140	4-Ø24	795	1040	190	255	1040	190	450	400	100	111
32/160	0.55	80	50	32	80	235	160	4-Ø24	835	1040	190	295	1040	190	450	400	100	119
	0.75	80	50	32	80	235	160	4-Ø24	835	1040	190	295	1040	190	450	400	100	120
32/200	1.1	90S	50	32	80	263	180	4-Ø24	860	1040	190	320	1040	190	450	400	100	137
	1.5	90L	50	32	80	263	180	4-Ø24	885	1040	190	345	1040	190	450	400	100	140
32/260	1.1	90S	50	32	100	283	225	4-Ø24	880	1040	190	320	1040	190	450	400	100	137
	1.5	90L	50	32	100	283	225	4-Ø24	905	1040	190	345	1040	190	450	400	100	140
40/130	0.55	80	65	40	80	215	140	4-Ø24	835	1040	190	295	1040	190	450	400	100	119
	0.55	80	65	40	80	235	160	4-Ø24	835	1040	190	295	1040	190	450	400	100	121
40/160	0.75	80	65	40	80	235	160	4-Ø24	835	1040	190	295	1040	190	450	400	100	123
	1.1	90S	65	40	100	263	180	4-Ø24	879	1040	190	320	1040	190	450	400	100	119
40/200	1.5	90L	65	40	100	263	180	4-Ø24	904	1040	190	345	1040	190	450	400	100	121
	1.5	90L	65	40	100	283	225	4-Ø24	905	1040	190	345	1040	190	450	400	100	169
40/260	2.2	100L	65	40	100	283	225	4-Ø24	945	1040	190	385	1040	190	450	400	100	177
	3	100L	65	40	100	283	225	4-Ø24	945	1040	190	385	1040	190	450	400	100	181
40/320	2.2	100L	65	40	125	303	250	4-Ø24	1080	1160	210	385	1160	210	490	440	100	245
	3	100L	65	40	125	303	250	4-Ø24	1080	1160	210	385	1160	210	490	440	100	249
	5.5	132S	65	40	125	303	250	4-Ø24	1165	1310	235	470	1310	235	540	490	100	299
50/130	0.55	80	65	50	100	235	160	4-Ø24	855	1040	190	295	1040	190	450	400	100	121
	0.75	80	65	50	100	235	160	4-Ø24	855	1040	190	295	1040	190	450	400	100	123
50/160	0.75	80	65	50	100	263	180	4-Ø24	855	1040	190	295	1040	190	450	400	100	150
	1.1	90S	65	50	100	263	180	4-Ø24	881	1040	190	320	1040	190	450	400	100	145
50/200	2.2	100L	65	50	100	263	200	4-Ø24	945	1040	190	385	1040	190	450	400	100	172
	3	100L	65	50	100	263	200	4-Ø24	945	1040	190	385	1040	190	450	400	100	176
50/260	4	112M	65	50	100	263	200	4-Ø24	960	1040	190	400	1040	190	450	400	100	188
	3	100L	65	50	100	283	225	4-Ø24	943	1040	190	385	1040	190	450	400	100	153
	5.5	132S	65	50	100	283	225	4-Ø24	1028	1040	190	470	1040	190	450	400	100	165

## Dimensions, weights Wilo-NX(with spacer coupling)

Motor data, dimensions, weights (1450 rpm, with spacer coupling) 电机参数, 外形尺寸及重量 (配易拆卸短节)

NX...	Nominal motor power	Motor size	Nominal diameter		Dimensions 外形尺寸														Weight approx.
	电机额定功率	电机编码	公称直径		A	H <sub>1</sub>	H <sub>2</sub>	n-ØS4	L*	L <sub>1</sub>	L <sub>2</sub>	L <sub>3</sub>	L <sub>4</sub>	S <sub>1</sub>	B <sub>2</sub>	B <sub>3</sub>	E	M	
	P <sub>2</sub> [kW]	— [MG]	DN <sub>1</sub>	DN <sub>2</sub>	[mm]														[kg]
50/320	4	112M	65	50	125	328	280	4-Ø24	1095	1310	235	400	1310	235	540	490	100	295	
	5.5	132S	65	50	125	328	280	4-Ø24	1165	1310	235	470	1310	235	540	490	100	315	
	7.5	132M	65	50	125	328	280	4-Ø24	1205	1310	235	510	1310	235	540	490	100	325	
65/130	11	160M	65	50	125	328	280	4-Ø24	1310	1310	235	615	1310	235	540	490	100	334	
	1.1	90S	80	65	100	263	180	4-Ø24	880	1040	190	320	1040	190	450	400	100	140	
65/160	1.5	90L	80	65	100	263	180	4-Ø24	905	1040	190	345	1040	190	450	400	100	140	
	1.1	90S	80	65	100	263	200	4-Ø24	877	1040	190	320	1040	190	450	400	100	130	
65/200	1.5	90L	80	65	100	263	200	4-Ø24	902	1040	190	345	1040	190	450	400	100	140	
	2.2	100L	80	65	100	263	200	4-Ø24	942	1040	190	385	1040	190	450	400	100	160	
65/260	2.2	100L	80	65	100	283	225	4-Ø24	947	1040	190	385	1040	190	450	400	100	195	
	3	100L	80	65	100	283	225	4-Ø24	947	1040	190	385	1040	190	450	400	100	200	
	4	112M	80	65	100	283	225	4-Ø24	962	1040	190	400	1040	190	450	400	100	220	
65/320	5.5	132S	80	65	100	283	225	4-Ø24	1032	1040	190	470	1040	190	450	400	100	240	
	4	112M	80	65	100	303	250	4-Ø24	1069	1310	235	400	1310	235	540	490	100	233	
	5.5	132S	80	65	100	303	250	4-Ø24	1139	1310	235	470	1310	235	540	490	100	241	
80/160	7.5	132M	80	65	100	303	250	4-Ø24	1179	1310	235	510	1310	235	540	490	100	260	
	5.5	132S	80	65	125	328	280	4-Ø24	1160	1310	235	470	1310	235	540	490	100	350	
	7.5	132M	80	65	125	328	280	4-Ø24	1200	1310	235	510	1310	235	540	490	100	360	
80/200	11	160M	80	65	125	328	280	4-Ø24	1305	1310	235	615	1310	235	540	490	100	400	
	2.2	100L	100	80	125	283	225	4-Ø24	970	1040	190	385	1040	190	450	400	100	185	
80/260	3	100L	100	80	125	283	225	4-Ø24	970	1040	190	385	1040	190	450	400	100	190	
	4	112M	100	80	125	283	250	4-Ø24	1095	1160	210	400	1160	210	490	440	100	265	
	5.5	132S	100	80	125	283	250	4-Ø24	1165	1160	210	470	1160	210	490	440	100	285	
80/320	7.5	132M	100	80	125	283	250	4-Ø24	1205	1160	210	510	1160	210	490	440	100	295	
	5.5	132S	100	80	125	303	280	4-Ø24	1165	1310	235	470	1310	235	540	490	100	300	
	7.5	132M	100	80	125	303	280	4-Ø24	1205	1310	235	510	1310	235	540	490	100	310	
80/400	11	160M	100	80	125	303	280	4-Ø24	1310	1310	235	615	1310	235	540	490	100	350	
	7.5	132M	100	80	125	353	315	4-Ø24	1205	1310	235	510	1310	235	540	490	100	356	
	11	160M	100	80	125	353	315	4-Ø29	1310	1460	260	615	1460	260	610	550	100	445	
100/200	15	160L	100	80	125	353	315	4-Ø29	1365	1460	260	670	1460	260	610	550	100	470	
	15	160L	100	80	125	383	355	4-Ø29	1455	1460	260	670	1460	260	610	550	140	515	
	18.5	180M	100	80	125	383	355	4-Ø29	1485	1460	260	700	1460	260	610	550	140	545	
100/260	22	180L	100	80	125	383	355	4-Ø29	1525	1460	260	740	1460	260	610	550	140	555	
	5.5	132S	125	100	125	303	280	4-Ø24	1165	1160	210	470	1160	210	490	440	100	300	
	7.5	132M	125	100	125	303	280	4-Ø24	1205	1160	210	510	1160	210	490	440	100	310	
100/320	11	160M	125	100	125	303	280	4-Ø24	1310	1310	235	615	1310	235	540	490	100	370	
	7.5	132M	125	100	140	328	280	4-Ø24	1260	1310	235	510	1310	235	540	490	140	350	
	11	160M	125	100	140	328	280	4-Ø24	1365	1310	235	615	1310	235	540	490	140	390	
100/400	15	160L	125	100	140	328	280	4-Ø24	1420	1310	235	670	1310	235	540	490	140	410	
	11	160M	125	100	140	353	315	4-Ø29	1365	1460	260	615	1460	260	610	550	140	470	
	15	160L	125	100	140	353	315	4-Ø29	1420	1460	260	670	1460	260	610	550	140	490	
	18.5	180M	125	100	140	353	315	4-Ø29	1450	1460	260	700	1460	260	610	550	140	520	
	22	180L	125	100	140	353	315	4-Ø29	1490	1460	260	740	1460	260	610	550	140	530	
100/460	30	200L	125	100	140	353	315	4-Ø29	1520	1460	260	770	1460	260	610	550	140	620	
	37	225S	125	100	140	353	315	4-Ø29	1565	1460	260	815	1460	260	610	550	140	670	

## Dimensions, weights Wilo-NX(with spacer coupling)

Motor data, dimensions, weights (1450 rpm, with spacer coupling) 电机参数, 外形尺寸及重量 (配易拆卸短节)

NX...	Nominal motor power	Motor size	Nominal diameter		Dimensions 外形尺寸													Weight approx.
	电机额定功率	电机编码	公称直径		A	H <sub>1</sub>	H <sub>2</sub>	n-∅S4	L*	L <sub>1</sub>	L <sub>2</sub>	L <sub>3</sub>	L <sub>4</sub>	S <sub>1</sub>	B <sub>2</sub>	B <sub>3</sub>	E	M
	P <sub>2</sub>	—	DN <sub>1</sub>	DN <sub>2</sub>	[mm]													[kg]
100/400	15	160L	125	100	140	403	355	4-∅29	1480	1640	290	670	1640	290	660	600	140	540
	18.5	180M	125	100	140	403	355	4-∅29	1510	1640	290	700	1640	290	660	600	140	570
	22	180L	125	100	140	403	355	4-∅29	1550	1640	290	740	1640	290	660	600	140	580
	30	200L	125	100	140	403	355	4-∅29	1580	1640	290	770	1640	290	660	600	140	670
	37	225S	125	100	140	403	355	4-∅29	1625	1640	290	815	1640	290	660	600	140	720
	45	225M	125	100	140	403	355	4-∅29	1655	1640	290	845	1640	290	660	600	140	740
125/200	7.5	132M	150	125	140	353	315	4-∅24	1260	1310	235	510	1310	235	540	490	140	350
	11	160M	150	125	140	353	315	4-∅29	1365	1460	260	615	1460	260	610	550	140	440
	15	160L	150	125	140	353	315	4-∅29	1420	1460	260	670	1460	260	610	550	140	480
125/260	11	160M	150	125	140	353	355	4-∅29	1365	1460	260	615	1460	260	610	550	140	450
	15	160L	150	125	140	353	355	4-∅29	1420	1460	260	670	1460	260	610	550	140	470
	18.5	180M	150	125	140	353	355	4-∅29	1450	1460	260	700	1460	260	610	550	140	500
	22	180L	150	125	140	353	355	4-∅29	1490	1460	260	740	1460	260	610	550	140	510
125/320	18.5	180M	150	125	140	403	355	4-∅29	1510	1640	290	700	1640	290	660	600	140	555
	22	180L	150	125	140	403	355	4-∅29	1550	1640	290	740	1640	290	660	600	140	565
	30	200L	150	125	140	403	355	4-∅29	1580	1640	290	770	1640	290	660	600	140	665
	37	225S	150	125	140	403	355	4-∅29	1625	1640	290	815	1640	290	660	600	140	710
	45	225M	150	125	140	403	355	4-∅29	1655	1640	290	845	1640	290	660	600	140	730
125/400	30	200L	150	125	140	438	400	4-∅29	1580	1640	290	770	1640	290	660	600	140	684
	37	225S	150	125	140	438	400	4-∅29	1625	1640	290	815	1640	290	660	600	140	739
	45	225M	150	125	140	438	400	4-∅29	1655	1640	290	845	1640	290	660	600	140	769
	55	250M	150	125	140	438	400	4-∅29	1720	1640	290	910	1640	290	660	600	140	880
	75	280S	150	125	140	438	400	4-∅29	1795	1860	330	985	1860	330	730	670	140	980
	90	280M	150	125	140	438	400	4-∅29	1845	1860	330	1035	1860	330	730	670	140	1050
125/500	55	250M	150	125	180	525	500	6-∅29	1940	2200	300	910	2200	300	770	710	180	1380
	75	280S	150	125	180	525	500	6-∅29	2015	2200	300	985	2200	300	770	710	180	1500
	90	280M	150	125	180	525	500	6-∅29	2065	2200	300	1035	2200	300	770	710	180	1600
	110	315S	150	125	180	525	500	6-∅29	2300	2200	300	1270	2200	300	770	710	180	2041
150/200	11	160M	200	150	160	403	400	4-∅29	1410	1860	330	615	1860	330	730	670	140	520
	15	160L	200	150	160	403	400	4-∅29	1465	1860	330	670	1860	330	730	670	140	540
	18.5	180M	200	150	160	403	400	4-∅29	1495	1860	330	700	1860	330	730	670	140	570
150/260	18.5	180M	200	150	160	353	355	4-∅29	1528	1460	260	700	1460	260	610	550	140	540
	22	180L	200	150	160	353	355	4-∅29	1568	1460	260	740	1460	260	610	550	140	550
	30	200L	200	150	160	353	355	4-∅29	1598	1460	260	770	1490	290	610	550	140	650
	37	225S	200	150	160	373	355	4-∅29	1643	1640	290	815	1640	290	660	600	140	700
150/320	22	180L	200	150	160	403	400	4-∅29	1570	1860	330	740	1860	330	730	670	140	610
	30	200L	200	150	160	403	400	4-∅29	1600	1860	330	770	1860	330	730	670	140	730
	37	225S	200	150	160	403	400	4-∅29	1645	1860	330	815	1860	330	730	670	140	780
	45	225M	200	150	160	403	400	4-∅29	1675	1860	330	845	1860	330	730	670	140	810
	55	250M	200	150	160	403	400	4-∅29	1740	1860	330	910	1860	330	730	670	140	905
	75	280S	200	150	160	403	400	4-∅29	1815	1860	330	985	1860	330	730	670	140	1037

## Dimensions, weights Wilo-NX(with spacer coupling)

Motor data, dimensions, weights (1450 rpm, with spacer coupling) 电机参数, 外形尺寸及重量 (配易拆卸短节)

NX...	Nominal motor power	Motor size	Nominal diameter		Dimensions 外形尺寸														Weight approx.
	电机额定功率	电机编码	公称直径		A	H <sub>1</sub>	H <sub>2</sub>	n-ØS4	L*	L <sub>1</sub>	L <sub>2</sub>	L <sub>3</sub>	L <sub>4</sub>	S <sub>1</sub>	B <sub>2</sub>	B <sub>3</sub>	E	M	
	P <sub>2</sub> [kW]	- [MG]	DN <sub>1</sub>	DN <sub>2</sub>	[mm]														[kg]
150/400	37	225S	200	150	160	438	450	4-Ø29	1645	1860	330	815	1860	330	730	670	140	789	
	45	225M	200	150	160	438	450	4-Ø29	1675	1860	330	845	1860	330	730	670	140	809	
	55	250M	200	150	160	438	450	4-Ø29	1740	1860	330	910	1860	330	730	670	140	900	
	75	280S	200	150	160	438	450	4-Ø29	1815	1860	330	985	1860	330	730	670	140	1085	
	90	280M	200	150	160	438	450	4-Ø29	1865	1860	330	1035	1860	330	730	670	140	1145	
	110	315S	200	150	160	465	450	6-Ø29	2100	2200	300	1270	2200	300	770	710	140	1415	
	132	315M	200	150	160	465	450	6-Ø29	2130	2200	300	1300	2200	300	770	710	140	1465	
150/500	75	280S	200	150	180	525	500	6-Ø29	2015	2200	300	985	2200	300	770	710	180	1459	
	90	280M	200	150	180	525	500	6-Ø29	2065	2200	300	1035	2200	300	770	710	180	1530	
	110	315S	200	150	180	525	500	6-Ø29	2300	2200	300	1270	2200	300	770	710	180	2020	
	132	315M	200	150	180	525	500	6-Ø29	2330	2200	300	1300	2200	300	770	710	180	2070	
	160	315L	200	150	180	525	500	6-Ø29	2330	2200	300	1300	2200	300	770	710	180	2140	
200/260	15	160L	250	200	180	403	400	4-Ø29	1576	1860	330	670	1860	330	730	670	180	633	
	18.5	180M	250	200	180	403	400	4-Ø29	1606	1860	330	700	1860	330	730	670	180	660	
	22	180L	250	200	180	403	400	4-Ø29	1646	1860	330	740	1860	330	730	670	180	672	
	30	200L	250	200	180	403	400	4-Ø29	1676	1860	330	770	1860	330	730	670	180	774	
200/320	18.5	180M	250	200	200	478	450	4-Ø29	1710	1860	330	700	1860	330	730	670	140	712	
	22	180L	250	200	200	478	450	4-Ø29	1750	1860	330	740	1860	330	730	670	140	724	
	30	200L	250	200	200	478	450	4-Ø29	1780	1860	330	770	1860	330	730	670	140	826	
	37	225S	250	200	200	478	450	4-Ø29	1825	1860	330	815	1860	330	730	670	140	878	
	45	225M	250	200	200	478	450	4-Ø29	1895	1860	330	845	1860	330	730	670	180	898	
	55	250M	250	200	200	478	450	4-Ø29	1920	1860	330	910	1860	330	730	670	140	989	
	75	280S	250	200	200	505	450	6-Ø29	2035	2200	300	985	2200	300	770	710	180	1359	
	90	280M	250	200	200	505	450	6-Ø29	2085	2200	300	1035	2200	300	770	710	180	1430	
200/400	75	280S	250	200	200	505	500	6-Ø29	2035	2200	300	985	2200	300	770	710	180	1404	
	90	280M	250	200	200	505	500	6-Ø29	2085	2200	300	1035	2200	300	770	710	180	1475	
	110	315S	250	200	200	505	500	6-Ø29	2320	2200	300	1270	2200	300	770	710	180	1966	
	132	315M	250	200	200	505	500	6-Ø29	2350	2200	300	1300	2200	300	770	710	180	2016	
200/500	90	280M	250	200	210	560	500	6-Ø29	2100	2450	325	1035	2450	325	940	880	180	1761	
	110	315S	250	200	210	560	500	6-Ø29	2335	2450	325	1270	2450	325	940	880	180	2252	
	132	315M	250	200	210	560	500	6-Ø29	2365	2450	325	1300	2450	325	940	880	180	2302	
	160	315L	250	200	210	560	500	6-Ø29	2365	2450	325	1300	2450	325	940	880	180	2367	
	200	315L	250	200	210	560	500	6-Ø29	2365	2450	325	1300	2450	325	940	880	180	2467	
250/320	55	250M	300	250	200	478	525	4-Ø29	1960	1860	330	910	1875	345	730	670	180	1064	
	75	280S	300	250	200	505	525	6-Ø29	2095	2200	300	985	2200	300	770	710	240	1434	
	90	280M	300	250	200	505	525	6-Ø29	2145	2200	300	1035	2200	300	770	710	240	1505	
	110	315S	300	250	200	515	525	6-Ø29	2380	2450	325	1270	2450	325	940	880	240	1996	
250/400	75	280S	300	250	250	560	500	6-Ø29	2145	2450	325	985	2450	325	940	880	240	1635	
	90	280M	300	250	250	560	500	6-Ø29	2195	2450	325	1035	2450	325	940	880	240	1706	
	110	315S	300	250	250	560	500	6-Ø29	2430	2450	325	1270	2450	325	940	880	240	2197	
	132	315M	300	250	250	560	500	6-Ø29	2460	2450	325	1300	2450	325	940	880	240	2247	
	160	315L	300	250	250	560	500	6-Ø29	2460	2450	325	1300	2450	325	940	880	240	2312	
	200	315L	300	250	250	560	500	6-Ø29	2460	2450	325	1300	2450	325	940	880	240	2412	

## Dimensions, weights Wilo-NX(with spacer coupling)

Motor data, dimensions, weights (1450 rpm, with spacer coupling) 电机参数, 外形尺寸及重量 (配易拆卸短节)

NX...	Nominal motor power 电机额定功率	Motor size 电机编码	Nominal diameter 公称直径		Dimensions 外形尺寸													Weight approx. 重量
	P <sub>2</sub>	—	DN <sub>1</sub>	DN <sub>2</sub>	A	H <sub>1</sub>	H <sub>2</sub>	n-ØS4	L*	L <sub>1</sub>	L <sub>2</sub>	L <sub>3</sub>	L <sub>4</sub>	S <sub>1</sub>	B <sub>2</sub>	B <sub>3</sub>	E	M
	[kW]	[MG]	[mm]															
250/500	132	315M	300	250	240	585	545	6-Ø29	2655	2450	325	1300	2490	365	940	880	240	2215
	160	315L	300	250	240	585	545	6-Ø29	2655	2450	325	1300	2490	365	940	880	240	2285
	200	315L	300	250	240	585	545	6-Ø29	2655	2450	325	1300	2490	365	940	880	240	2396
300/320	90	280M	350	300	260	560	560	6-Ø29	2410	2450	325	1035	2450	325	940	880	240	1911
	110	315S	350	300	260	560	560	6-Ø29	2645	2450	325	1270	2510	385	940	880	240	2402
	132	315M	350	300	260	560	560	6-Ø29	2675	2450	325	1300	2510	385	940	880	240	2452
	160	315L	350	300	260	560	560	6-Ø29	2675	2450	325	1300	2510	385	940	880	240	2517
300/400	200	315L	350	300	260	560	560	6-Ø29	2675	2450	325	1300	2510	385	940	880	240	2617
	90	280M	350	300	280	660	600	6-Ø29	2430	2450	325	1035	2450	325	940	880	240	1951
	110	315S	350	300	280	660	600	6-Ø29	2665	2450	325	1270	2510	385	940	880	240	2442
	132	315M	350	300	280	660	600	6-Ø29	2695	2450	325	1300	2510	385	940	880	240	2492
	160	315L	350	300	280	660	600	6-Ø29	2695	2450	325	1300	2510	385	940	880	240	2557
	200	315L	350	300	280	660	600	6-Ø29	2695	2450	325	1300	2510	385	940	880	240	2657



## Dimensions, weights Wilo-NX(with spacer coupling)

Motor data, dimensions, weights (2900 rpm, with spacer coupling) 电机参数, 外形尺寸及重量 (配易拆卸短节)

NX...	Nominal motor power	Motor size	Nominal diameter		Dimensions 外形尺寸														Weight approx.
	电机额定功率	电机编码	公称直径		A	H <sub>1</sub>	H <sub>2</sub>	n-ØS4	L*	L <sub>1</sub>	L <sub>2</sub>	L <sub>3</sub>	L <sub>4</sub>	S <sub>1</sub>	B <sub>2</sub>	B <sub>3</sub>	E	M	
	P <sub>2</sub>	—	DN <sub>1</sub>	DN <sub>2</sub>	[mm]														[kg]
32/130	1.1	80	50	32	80	215	140	4-Ø24	835	1040	190	295	1040	190	450	400	100	113	
	1.5	90S	50	32	80	215	140	4-Ø24	860	1040	190	320	1040	190	450	400	100	118	
	2.2	90L	50	32	80	215	140	4-Ø24	885	1040	190	345	1040	190	450	400	100	122	
32/160	1.5	90S	50	32	80	235	160	4-Ø24	860	1040	190	320	1040	190	450	400	100	121	
	2.2	90L	50	32	80	235	160	4-Ø24	885	1040	190	345	1040	190	450	400	100	128	
	3	100L	50	32	80	235	160	4-Ø24	925	1040	190	385	1040	190	450	400	100	148	
	4	112M	50	32	80	235	160	4-Ø24	940	1040	190	400	1040	190	450	400	100	159	
	5.5	132S	50	32	80	235	160	4-Ø24	1010	1040	190	470	1040	190	450	400	100	179	
32/200	2.2	90L	50	32	80	263	180	4-Ø24	885	1040	190	345	1040	190	450	400	100	129	
	3	100L	50	32	80	263	180	4-Ø24	925	1040	190	385	1040	190	450	400	100	149	
	4	112M	50	32	80	263	180	4-Ø24	940	1040	190	400	1040	190	450	400	100	160	
	5.5	132S	50	32	80	263	180	4-Ø24	1010	1040	190	470	1040	190	450	400	100	181	
	7.5	132S	50	32	80	263	180	4-Ø24	1010	1040	190	470	1040	190	450	400	100	187	
32/260	7.5	132S	50	32	100	283	225	4-Ø24	1030	1040	190	470	1040	190	450	400	100	187	
	11	160M	50	32	100	283	225	4-Ø24	1175	1160	210	615	1160	210	490	440	100	260	
	15	160M	50	32	100	283	225	4-Ø24	1175	1160	210	615	1160	210	490	440	100	267	
40/130	2.2	90L	65	40	80	215	140	4-Ø24	885	1040	190	345	1040	190	450	400	100	124	
	3	100L	65	40	80	215	140	4-Ø24	925	1040	190	385	1040	190	450	400	100	128	
40/160	2.2	90L	65	40	80	235	160	4-Ø24	885	1040	190	345	1040	190	450	400	100	146	
	3	100L	65	40	80	235	160	4-Ø24	925	1040	190	385	1040	190	450	400	100	160	
	4	112M	65	40	80	235	160	4-Ø24	940	1040	190	400	1040	190	450	400	100	165	
	5.5	132S	65	40	80	235	160	4-Ø24	1010	1040	190	470	1040	190	450	400	100	187	
	7.5	132S	65	40	80	235	160	4-Ø24	1010	1040	190	470	1040	190	450	400	100	190	
40/200	5.5	132S	65	40	100	263	180	4-Ø24	1029	1040	190	470	1040	190	450	400	100	152	
	7.5	132S	65	40	100	263	180	4-Ø24	1029	1040	190	470	1040	190	450	400	100	157	
	11	160M	65	40	100	263	180	4-Ø24	1174	1160	210	615	1160	210	490	440	100	189	
40/260	7.5	132S	65	40	100	283	225	4-Ø24	1030	1040	190	470	1040	190	450	400	100	215	
	11	160M	65	40	100	283	225	4-Ø24	1175	1160	210	615	1160	210	490	440	100	310	
	15	160M	65	40	100	283	225	4-Ø24	1175	1160	210	615	1160	210	490	440	100	320	
	18.5	160L	65	40	100	283	225	4-Ø24	1230	1160	210	670	1160	210	490	440	100	340	
40/320	15	160M	65	40	125	303	250	4-Ø24	1310	1310	235	615	1310	235	540	490	100	374	
	18.5	160L	65	40	125	303	250	4-Ø24	1365	1310	235	670	1310	235	540	490	100	392	
	22	180M	65	40	125	303	250	4-Ø29	1395	1460	260	700	1460	260	610	550	100	470	
	30	200L	65	40	125	303	250	4-Ø29	1465	1460	260	770	1460	260	610	550	100	565	
	37	200L	65	40	125	303	250	4-Ø29	1465	1460	260	770	1460	260	610	550	100	585	
50/130	2.2	90L	65	50	100	235	160	4-Ø24	905	1040	190	345	1040	190	450	400	100	141	
	3	100L	65	50	100	235	160	4-Ø24	945	1040	190	385	1040	190	450	400	100	155	
	4	112M	65	50	100	235	160	4-Ø24	960	1040	190	400	1040	190	450	400	100	160	
	5.5	132S	65	50	100	235	160	4-Ø24	1030	1040	190	470	1040	190	450	400	100	182	
	7.5	132S	65	50	100	235	160	4-Ø24	1030	1040	190	470	1040	190	450	400	100	185	

## Dimensions, weights Wilo-NX(with spacer coupling)

Motor data, dimensions, weights (2900 rpm, with spacer coupling) 电机参数, 外形尺寸及重量 (配易拆卸短节)

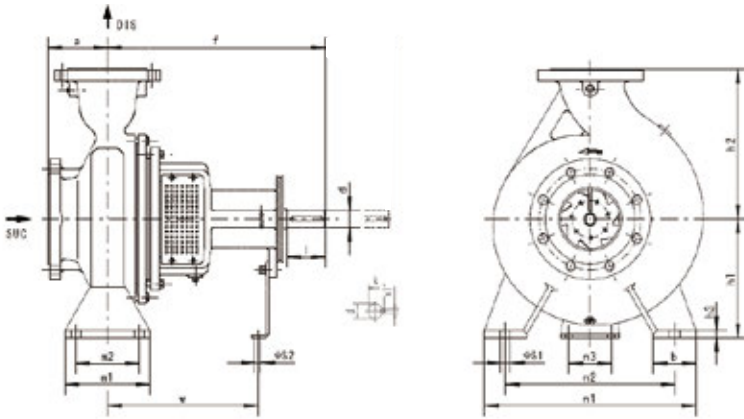
NX...	Nominal motor power	Motor size	Nominal diameter		Dimensions 外形尺寸														Weight approx.
	电机额定功率	电机编码	公称直径		A	H <sub>1</sub>	H <sub>2</sub>	n-ØS4	L*	L <sub>1</sub>	L <sub>2</sub>	L <sub>3</sub>	L <sub>4</sub>	S <sub>1</sub>	B <sub>2</sub>	B <sub>3</sub>	E	M	
	P <sub>2</sub> [kW]	- [MG]	DN <sub>1</sub>	DN <sub>2</sub>	[mm]														[kg]
50/160	3	100L	65	50	100	263	180	4-Ø24	946	1040	190	385	1040	190	450	400	100	165	
	4	112M	65	50	100	263	180	4-Ø24	961	1040	190	400	1040	190	450	400	100	170	
	5.5	132S	65	50	100	263	180	4-Ø24	1031	1040	190	470	1040	190	450	400	100	192	
	7.5	132S	65	50	100	263	180	4-Ø24	1031	1040	190	470	1040	190	450	400	100	195	
	11	160M	65	50	100	263	180	4-Ø24	1176	1160	210	615	1160	210	490	440	100	240	
50/200	11	160M	65	50	100	263	200	4-Ø24	1175	1160	210	615	1160	210	490	440	100	285	
	15	160M	65	50	100	263	200	4-Ø24	1175	1160	210	615	1160	210	490	440	100	295	
	18.5	160L	65	50	100	263	200	4-Ø24	1230	1160	210	670	1160	210	490	440	100	308	
	22	180M	65	50	100	283	200	4-Ø24	1260	1160	210	700	1160	210	490	440	100	320	
	30	200L	65	50	100	303	200	4-Ø24	1330	1310	235	770	1310	235	540	490	100	430	
50/260	7.5	132S	65	50	100	283	225	4-Ø24	1028	1040	190	470	1040	190	450	400	100	184	
	11	160M	65	50	100	283	225	4-Ø24	1173	1160	210	615	1160	210	490	440	100	207	
	15	160M	65	50	100	283	225	4-Ø24	1173	1160	210	615	1160	210	490	440	100	244	
	18.5	160L	65	50	100	283	225	4-Ø24	1228	1160	210	670	1160	210	490	440	100	260	
	22	180M	65	50	100	283	225	4-Ø24	1258	1160	210	700	1160	210	490	440	100	289	
	30	200L	65	50	100	303	225	4-Ø24	1328	1310	235	770	1310	235	540	490	100	386	
50/320	30	200L	65	50	125	328	280	4-Ø29	1465	1460	260	770	1460	260	610	550	100	556	
	37	200L	65	50	125	328	280	4-Ø29	1465	1460	260	770	1460	260	610	550	100	576	
	45	225M	65	50	125	328	280	4-Ø29	1555	1460	260	820	1460	260	610	550	140	628	
	55	250M	65	50	125	373	280	4-Ø29	1645	1640	290	910	1640	290	660	600	140	730	
65/130	4	112M	80	65	100	263	180	4-Ø24	960	1040	190	400	1040	190	450	400	100	180	
	5.5	132S	80	65	100	263	180	4-Ø24	1030	1040	190	470	1040	190	450	400	100	200	
	7.5	132S	80	65	100	263	180	4-Ø24	1030	1040	190	470	1040	190	450	400	100	220	
	11	160M	80	65	100	263	180	4-Ø24	1175	1160	210	615	1160	210	490	440	100	250	
65/160	7.5	132S	80	65	100	263	200	4-Ø24	1027	1040	190	470	1040	190	450	400	100	220	
	11	160M	80	65	100	263	200	4-Ø24	1172	1160	210	615	1160	210	490	440	100	250	
	15	160M	80	65	100	263	200	4-Ø24	1172	1160	210	615	1160	210	490	440	100	260	
	18.5	160L	80	65	100	263	200	4-Ø24	1227	1160	210	670	1160	210	490	440	100	280	
65/200	15	160M	80	65	100	283	225	4-Ø24	1177	1160	210	615	1160	210	490	440	100	310	
	18.5	160L	80	65	100	283	225	4-Ø24	1232	1160	210	670	1160	210	490	440	100	320	
	22	180M	80	65	100	283	225	4-Ø24	1262	1160	210	700	1160	210	490	440	100	350	
	30	200L	80	65	100	303	225	4-Ø24	1332	1310	235	770	1310	235	540	490	100	480	
	37	200L	80	65	100	303	225	4-Ø24	1332	1310	235	770	1310	235	540	490	100	500	
65/260	30	200L	80	65	100	303	250	4-Ø29	1439	1460	260	770	1460	260	610	550	100	390	
	37	200L	80	65	100	303	250	4-Ø29	1439	1460	260	770	1460	260	610	550	100	560	
	45	225M	80	65	100	328	250	4-Ø29	1529	1460	260	820	1460	260	610	550	140	612	
	55	250M	80	65	100	373	250	4-Ø29	1619	1640	290	910	1640	290	660	600	140	710	
65/320	37	200L	80	65	125	328	280	4-Ø29	1500	1460	260	770	1460	260	610	550	140	600	
	45	225M	80	65	125	328	280	4-Ø29	1550	1460	260	820	1460	260	610	550	140	660	
	55	250M	80	65	125	373	280	4-Ø29	1640	1640	290	910	1640	290	660	600	140	720	
	75	280S	80	65	125	403	280	4-Ø29	1715	1860	330	985	1860	330	730	670	140	900	
	90	280M	80	65	125	403	280	4-Ø29	1765	1860	330	1035	1860	330	730	670	140	945	

## Dimensions, weights Wilo-NX(with spacer coupling)

Motor data, dimensions, weights (2900 rpm, with spacer coupling) 电机参数, 外形尺寸及重量 (配易拆卸短节)

NX...	Nominal motor power	Motor size	Nominal diameter		Dimensions 外形尺寸														Weight approx.
	电机额定功率	电机编码	公称直径		A	H <sub>1</sub>	H <sub>2</sub>	n-∅S4	L*	L <sub>1</sub>	L <sub>2</sub>	L <sub>3</sub>	L <sub>4</sub>	S <sub>1</sub>	B <sub>2</sub>	B <sub>3</sub>	E	M	
	P <sub>2</sub> [kW]	- [MG]	DN <sub>1</sub>	DN <sub>2</sub>	[mm]														[kg]
80/160	11	160M	100	80	125	283	225	4-∅24	1200	1160	210	615	1160	210	490	440	100	310	
	15	160M	100	80	125	283	225	4-∅24	1200	1160	210	615	1160	210	490	440	100	320	
	18.5	160L	100	80	125	283	225	4-∅24	1255	1160	210	670	1160	210	490	440	100	340	
	22	180M	100	80	125	283	225	4-∅24	1285	1160	210	700	1160	210	490	440	100	360	
	30	200L	100	80	125	303	225	4-∅24	1355	1310	235	770	1310	235	540	490	100	480	
80/200	30	200L	100	80	125	303	250	4-∅29	1465	1460	260	770	1460	260	610	550	100	540	
	37	200L	100	80	125	303	250	4-∅29	1465	1460	260	770	1460	260	610	550	100	560	
	45	225M	100	80	125	328	250	4-∅29	1555	1460	260	820	1460	260	610	550	140	610	
80/260	30	200L	100	80	125	303	280	4-∅29	1505	1460	260	770	1460	260	610	550	140	550	
	37	200L	100	80	125	303	280	4-∅29	1505	1460	260	770	1460	260	610	550	140	570	
	45	225M	100	80	125	328	280	4-∅29	1555	1460	260	820	1460	260	610	550	140	630	
	55	250M	100	80	125	373	280	4-∅29	1645	1640	290	910	1640	290	660	600	140	740	
	75	280S	100	80	125	403	280	4-∅29	1720	1860	330	985	1860	330	730	670	140	866	
80/320	90	280M	100	80	125	403	280	4-∅29	1770	1860	330	1035	1860	330	730	670	140	906	
	45	225M	100	80	125	353	315	4-∅29	1555	1460	260	820	1460	260	610	550	140	656	
	55	250M	100	80	125	373	315	4-∅29	1645	1640	290	910	1640	290	660	600	140	750	
	75	280S	100	80	125	403	315	4-∅29	1720	1860	330	985	1860	330	730	670	140	885	
	90	280M	100	80	125	403	315	4-∅29	1770	1860	330	1035	1860	330	730	670	140	925	
	110	315S	100	80	125	465	315	6-∅29	1895	2200	300	1160	2200	300	770	710	140	1730	
100/200	132	315M	100	80	125	465	315	6-∅29	1925	2200	300	1190	2200	300	770	710	140	1780	
	30	200L	125	100	125	303	280	4-∅29	1465	1460	260	770	1460	260	610	550	100	540	
	37	200L	125	100	125	303	280	4-∅29	1465	1460	260	770	1460	260	610	550	100	560	
	45	225M	125	100	125	328	280	4-∅29	1555	1460	260	820	1460	260	610	550	140	610	
	55	250M	125	100	125	373	280	4-∅29	1645	1640	290	910	1640	290	660	600	140	730	
100/260	75	280S	125	100	125	403	280	4-∅29	1720	1860	330	985	1860	330	730	670	140	840	
	55	250M	125	100	140	373	280	4-∅29	1660	1640	290	910	1640	290	660	600	140	740	
	75	280S	125	100	140	403	280	4-∅29	1735	1860	330	985	1860	330	730	670	140	878	
	90	280M	125	100	140	403	280	4-∅29	1785	1860	330	1035	1860	330	730	670	140	910	
125/200	110	315S	125	100	140	465	280	6-∅29	1910	2200	300	1160	2200	300	770	710	140	1710	
	45	225M	150	125	140	373	315	4-∅29	1570	1640	290	820	1640	290	660	600	140	653	
	55	250M	150	125	140	373	315	4-∅29	1660	1640	290	910	1640	290	660	600	140	740	
	75	280S	150	125	140	403	315	4-∅29	1735	1860	330	985	1860	330	730	670	140	878	

## Dimensions, Wilo-NX (bare shaft)



Dimensions (bare shaft) 泵头尺寸

NX...	Flange 法兰		Pump dimensions 泵头尺寸														Shaft dimensions 轴尺寸				
	SUC	DIS	a	f	h <sub>1</sub>	h <sub>2</sub>	b	m <sub>1</sub>	m <sub>2</sub>	n <sub>1</sub>	n <sub>2</sub>	n <sub>3</sub>	h <sub>3</sub>	s <sub>1</sub>	s <sub>2</sub>	w	d	l	k	a <sub>1</sub>	
32/130	50	32	80	360	112	140	50	100	70	190	140	110	14	14	14	250	24	49	27	8	
32/160	50	32	80	360	132	160	50	100	70	240	190	110	14	14	14	250	24	49	27	8	
32/200	50	32	80	360	160	180	50	100	70	240	190	110	14	14	14	250	24	49	27	8	
32/260	50	32	100	358	180	225	65	125	95	320	250	110	14	14	14	248	24	49	27	8	
40/130	65	40	80	360	112	140	50	100	70	210	160	110	14	14	14	250	24	49	27	8	
40/160	65	40	80	360	132	160	50	100	70	240	190	110	14	14	14	250	24	49	27	8	
40/200	65	40	100	359	160	180	50	100	70	265	212	110	16	14	14	249	24	49	27	8	
40/260	65	40	100	360	180	225	65	125	95	320	250	110	14	14	14	250	24	49	27	8	
40/320	65	40	125	470	200	250	65	125	95	345	280	110	16	14	14	328	24	49	27	8	
50/130	65	50	100	360	132	160	50	100	70	240	190	110	14	14	14	250	24	49	27	8	
50/160	65	50	100	361	160	180	50	100	70	265	212	110	14	14	14	251	24	49	27	8	
50/200	65	50	100	360	160	200	50	100	70	265	212	110	14	14	14	250	24	49	27	8	
50/260	65	50	100	358	180	225	65	125	95	320	250	110	14	14	14	248	24	49	27	8	
50/320	65	50	125	470	225	280	65	125	95	345	280	110	16	14	14	328	32	78	35	10	
65/130	80	65	100	360	160	180	65	125	95	280	212	110	15	14	14	250	24	49	27	8	
65/160	80	65	100	357	160	200	65	125	95	280	212	110	16	14	14	247	24	49	27	8	
65/200	80	65	100	362	180	225	65	125	95	320	250	110	18	14	14	252	24	49	27	8	
65/260	80	65	100	469	200	250	80	160	120	360	280	110	16	18	14	327	32	78	35	10	
65/320	80	65	125	465	225	280	80	160	120	400	315	110	16	17.5	14	323	32	78	35	10	
80/160	100	80	125	360	180	225	65	125	95	320	250	110	16	14	14	250	24	49	27	8	
80/200	100	80	125	470	180	250	65	125	95	345	282	110	14	14	14	328	32	78	35	10	
80/260	100	80	125	470	200	280	80	160	120	400	315	110	16	17.5	14	328	32	78	35	10	
80/320	100	80	125	470	250	315	80	160	120	400	315	110	18	18	14	328	32	78	35	10	
80/400	100	80	125	520	280	355	85	160	120	440	340	110	18	18	14	345	42	109	45	12	
100/200	125	100	125	470	200	280	80	160	120	360	280	110	16	18	14	328	32	78	35	10	
100/260	125	100	140	470	225	280	80	160	120	400	315	110	16	17.5	14	328	32	78	35	10	
100/320	125	100	140	470	250	315	80	160	120	400	315	110	16	18	14	328	32	78	35	10	
100/400	125	100	140	530	280	355	100	200	150	500	400	110	18	23	14	355	42	109	45	12	
125/200	150	125	140	470	250	315	80	160	120	400	315	110	16	18	14	328	32	78	35	10	
125/260	150	125	140	470	250	355	80	160	120	400	315	110	16	17.5	14	328	32	78	35	10	

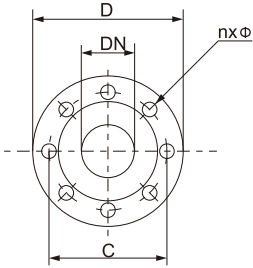
## Dimensions, Wilo-NX (bare shaft)

Dimensions (bare shaft) 泵头尺寸

NX...	Flange 法兰		Pump dimensions 泵头尺寸													Shaft dimensions 轴尺寸				
	SUC	DIS	a	f	h <sub>1</sub>	h <sub>2</sub>	b	m <sub>1</sub>	m <sub>2</sub>	n <sub>1</sub>	n <sub>2</sub>	n <sub>3</sub>	h <sub>3</sub>	s <sub>1</sub>	s <sub>2</sub>	w	d	l	k	a <sub>1</sub>
125/320	150	125	140	530	280	355	100	200	150	500	400	110	18	23	14	355	42	109	45	12
125/400	150	125	140	530	315	400	100	200	150	500	400	110	18	23	14	355	42	109	45	12
125/500	150	125	180	670	375	500	100	200	150	550	450	140	24	24	14	495	55	110	59	16
150/200	200	150	160	495	280	400	100	200	150	550	450	110	20	23	14	353	32	78	35	10
150/260	200	150	160	528	250	355	100	200	150	450	350	110	18	23	14	353	42	109	45	12
150/320	200	150	160	530	280	400	100	200	150	550	450	110	18	23	14	355	42	109	45	12
150/400	200	150	160	530	315	450	100	200	150	550	450	110	18	23	14	355	42	109	45	12
150/500	200	150	180	670	375	500	100	200	150	550	450	140	24	24	14	495	55	110	59	16
200/260	250	200	180	546	280	400	100	200	150	550	450	110	25	26	14	371	42	109	45	12
200/320	250	200	200	670	355	450	100	200	150	550	450	110	20	23	14	495	48	110	52	14
200/400	250	200	200	670	355	500	100	200	150	550	450	110	20	23	14	495	48	110	52	14
200/500	250	200	210	675	400	500	160	300	240	720	600	140	30	27	14	500	55	110	75	20
250/320	300	250	200	670	355	525	100	250	175	600	500	110	24	24	14	495	48	110	52	14
250/400	300	250	250	670	400	500	120	300	250	710	600	140	25	24	14	495	55	110	59	16
250/500	300	250	240	875	425	545	160	300	240	720	600	140	30	27	19	625	70	140	75	20
300/320	350	300	260	875	400	560	140	300	200	750	600	140	30	27	19	625	70	140	75	20
300/400	350	300	280	875	500	600	150	300	200	800	660	140	40	27	23	625	70	140	75	20

## Flange dimensions Wilo-NX 法兰尺寸

Dimension drawing: 法兰尺寸图



Flange dimensions 法兰尺寸				
Nominal diameter 公称直径	Pump flange dimensions 水泵法兰尺寸			Flange 法兰
DN	$\varnothing D$	$\varnothing C$	$n \times \varnothing$	PN
	[mm]		[pcs. x mm]	-
32	140	100	4×18	16
40	150	110	4×18	16
50	165	125	4×18	16
65	185	145	4×18	16
80	200	160	8×18	16
100	220	180	8×18	16
125	250	210	8×18	16
150	285	240	8×22	16
200	340	295	12×22	16
250	405	355	12×26	16
300	460	410	12×26	16
350	520	470	16×26	16

“威乐的产品节能  
降耗，技术领先，  
服务更出色！”

